

# Dynapac CA4000DCO

## Single drum vibratory rollers

Atlas Copco



### Technical data



#### Masses

Operating mass (incl. Cab)	13,400 kg
Module mass (front/rear)	8,800 kg/4,600 kg
Max. operating mass	13,700 kg



#### Dimensions

Drum width	2,130 mm
------------	----------



#### Traction

Speed range	0 -12 km/h
Vertical oscillation	±9°
Tyre size (8 ply)	23,1 x 26 AW
Theor. gradeability	57 %



#### Compaction

Static linear load	41 kg/cm
Amplitude	0 -2 mm
Vibration frequency	28 Hz
Centrifugal force	261 kN



#### Engine

Manufacturer/Model	Cummins QSB4.5 (IIIA/3 or IIIB/4i)
Type	Water cooled turbo Diesel
Rated power, SAE J1995	119 kW (162 hp ) @ 2,200 rpm
Fuel tank capacity	162 l



#### Hydraulic system

Driving	Hydrostatic
Vibration	Hydrostatic
Steering	Hydrostatic
Service brake	Hydrostatic in forward and reverse lever.
Parking/ Emergency brake	Failsafe multidisc brake in drum gear box and in rear axle.

Find us locally at [www.atlascopco.com](http://www.atlascopco.com)

We reserve the right to change specifications without notice. Photos and illustrations do not always show standard versions of machines. The above information is a general description only, all informations are supplied without liability.

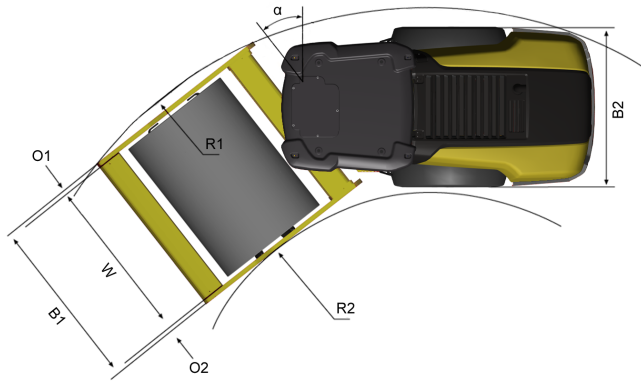
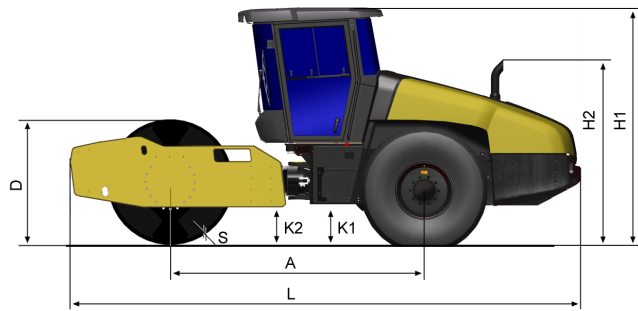
rce\_ca4000dco\_en-20160128.113834.pdf 2016-01-28 11:38

# Dynapac CA4000DCO

## Single drum vibratory rollers

Atlas Copco

### Technical data



Dimensions	
A. Wheelbase	2,990 mm
B1. Width, front	2,300 mm
B2. Width, rear	2,130 mm
D. Drum diameter	1,520 mm
H1. Height, with ROPS/cab	2,880 mm
H2. Height, w/o ROPS/cab	2,130 mm
K1. Ground clearance	450 mm
K2. Curb clearance	450 mm
L. Length	5,990 mm
O1. Overhang, right	85 mm
O2. Overhang, left	85 mm
R1. Turning radius, outside	5,600 mm
R2. Turning radius, inside	3,300 mm
S. Drum shell thickness	35 mm
W. Drum width	2,130 mm
$\alpha$ . Steering angle	$\pm 38^\circ$

Find us locally at [www.atlascopco.com](http://www.atlascopco.com)

We reserve the right to change specifications without notice. Photos and illustrations do not always show standard versions of machines. The above information is a general description only, all informations are supplied without liability.

rce\_ca4000dco\_en-20160128.113834.pdf 2016-01-28 11:38