

Dynapac CA3500D

Single drum vibratory rollers

Atlas Copco



Technical data



Masses

Operating mass (incl. ROPS)	11900 kg
Operating mass (incl. Cab)	12100 kg
Module mass (front/rear)	7600 kg/4500 kg
Max. operating mass	13800 kg



Dimensions

Drum width	2130 mm
------------	---------



Traction

Speed range (Dual/TC/AS)	4/6/7/12 km/h
Vertical oscillation	±9°
Tyre size (8 ply)	23,1 x 26 AW
Theor. gradeability	55 %



Compaction

Static linear load	36 kg/cm
Nominal amplitude (high/low)	1.9 mm/0.9 mm
Vibration frequency (high/low amplitude)	31 Hz/34 Hz
Centrifugal force (high/low amplitude)	280 kN/170 kN



Engine

Manufacturer/Model	Cummins QSF3.8 (IV/4final)
Type	Water cooled turbo Diesel
Rated power, SAE J1995	97 kW (130 hp) @ 2200 rpm
Fuel tank capacity	272 l
DEF tank capacity	20 l



Engine

Manufacturer/Model	Cummins QSB4.5 (IIIA/3)
Type	Water cooled turbo Diesel
Rated power, SAE J1995	97 kW (130 hp) @ 2200 rpm



Hydraulic system

Driving	Hydrostatic
Vibration	Hydrostatic
Steering	Hydrostatic
Service brake	Hydrostatic in forward and reverse lever.
Parking/ Emergency brake	Failsafe multidisc brake in drum gear box and in rear axle.

Find us locally at www.atlascopco.com

We reserve the right to change specifications without notice. Photos and illustrations do not always show standard versions of machines. The above information is a general description only, all informations are supplied without liability.

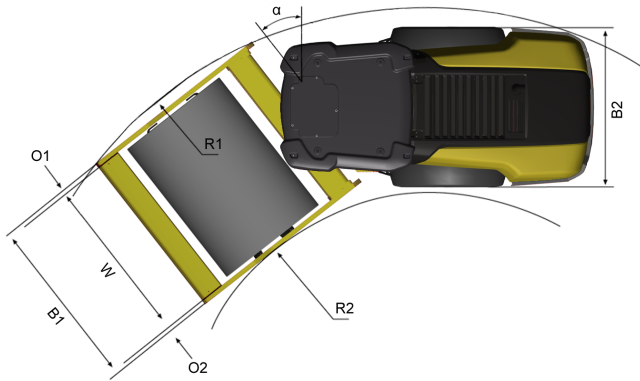
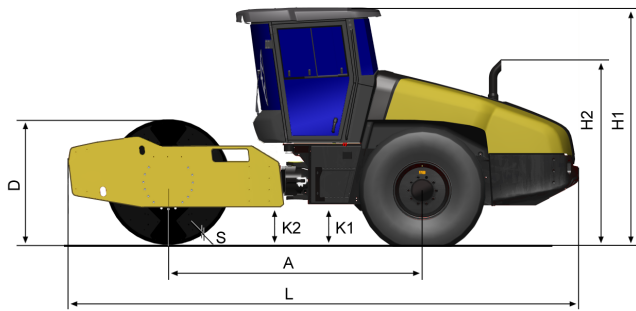
rce_ca3500d_en-20170911.095509.pdf 2017-09-11 09:55

Dynapac CA3500D

Single drum vibratory rollers

Atlas Copco

Technical data



Dimensions	
A. Wheelbase	2990 mm
B1. Width, front	2304 mm
B2. Width, rear	2130 mm
D. Drum diameter	1520 mm
H1. Height, with ROPS/cab	2880 mm
H2. Height, w/o ROPS/cab	2130 mm
K1. Ground clearance	450 mm
K2. Curb clearance	450 mm
L. Length	5990 mm
O1. Overhang, right	87 mm
O2. Overhang, left	87 mm
R1. Turning radius, outside	5450 mm
R2. Turning radius, inside	3300 mm
S. Drum shell thickness	35 mm
W. Drum width	2130 mm
α . Steering angle	$\pm 38^\circ$

Find us locally at www.atlascopco.com

We reserve the right to change specifications without notice. Photos and illustrations do not always show standard versions of machines. The above information is a general description only, all informations are supplied without liability.

rce_ca3500d_en-20170911.095509.pdf 2017-09-11 09:55