

Dynapac CA255D

Single drum vibratory rollers

Atlas Copco



Technical data

Masses	
Operating mass (incl. Canopy)	11,030 kg
Module mass (front/rear)	6,780/4,250 kg
Max. operating mass	12,100 kg

Traction	
Speed range	0-6 km/h
Vertical oscillation	±9°
Tyre size (12 ply)	23.1 x 26

Compaction	
Static linear load	31.8 kg/cm
Nominal amplitude (high/low)	1.7/0.8 mm
Vibration frequency (high/low amplitude)	33/33 Hz
Centrifugal force (high/low amplitude)	246/119 kN

Engine	
Manufacturer/Model	Kirloskar 4R1040TA3
Type	Water cooled Turbo charged + Intercooler
Rated power, SAE J1995	77.2 kW (105 hp) @ 2,200 rpm
Fuel tank capacity	250 l

Hydraulic system	
Driving	Axial piston pump with variable displacement. Axial piston motor with constant displacement. Radial piston motor with constant displacement.
Vibration	Axial piston pump with variable displacement / Axial piston motor with constant displacement (D)
Steering	Gear pump with constant displacement.
Service brake	Hydrostatic in forward and reverse lever.
Parking/ Emergency brake	Hydrostatic, for all functions

Find us locally at www.atlascopco.com

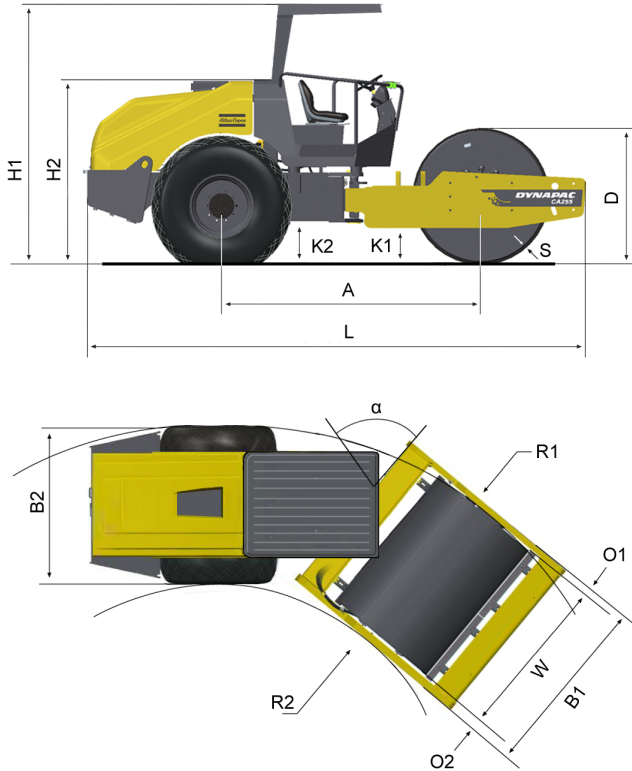
We reserve the right to change specifications without notice. Photos and illustrations do not always show standard versions of machines. The above information is a general description only, all informations are supplied without liability.

Dynapac CA255D

Single drum vibratory rollers

Atlas Copco

Technical data



Dimensions	
A. Wheelbase	2,879 mm
B1. Width, front	2,384 mm
B2. Width, rear	2,130 mm
D. Drum diameter	1,523 mm
H1. Height, with ROPS/cab	2,977 mm
H2. Height, w/o ROPS/cab	2,190 mm
K1. Ground clearance	453 mm
K2. Curb clearance	495 mm
L. Length	5,550 mm
O1. Overhang, right	127 mm
O2. Overhang, left	127 mm
R1. Turning radius, outside	5,400 mm
R2. Turning radius, inside	3,100 mm
S. Drum shell thickness	25 mm
W. Drum width	2,130 mm
α. Steering angle	±38°

Find us locally at www.atlascopco.com

We reserve the right to change specifications without notice. Photos and illustrations do not always show standard versions of machines. The above information is a general description only, all informations are supplied without liability.

rce_ca255d_en-20140828.125741.pdf 2014-08-28 12:57