



Dynapac CA255


Single drum vibratory rollers





Technical data

 Masses	
Operating mass (incl. Canopy)	10830 kg
Module mass (front/rear)	6580 kg/4250 kg
Max. operating mass	12100 kg

 Traction	
Speed range	0-11 km/h
Vertical oscillation	±9°
Tyre size (8 ply)	23.1 x 26
Theor. gradeability	34 %

 Compaction	
Static linear load	30.9 kg/cm
Nominal amplitude (high/low)	1.7 mm/0.8 mm
Vibration frequency (high/low amplitude)	33 Hz/33 Hz
Centrifugal force (high/low amplitude)	246 kN/119 kN

 Engine	
Manufacturer/Model	Kirloskar 4R1040TA3
Type	Water cooled Turbo charged + Intercooler
Rated power, SAE J1995	77.2 kW (105 hp) @ 2200 rpm
Fuel tank capacity	250 l

 Hydraulic system	
Driving	Axial piston pump with variable displacement. Axial piston motor with constant displacement.
Vibration	Axial piston pump with variable displacement.
Steering	Gear pump with constant displacement.
Service brake	Hydrostatic in forward and reverse lever.
Parking/ Emergency brake	Failsafe multidisc brake in rear axle.

Find us locally at www.dynapac.com

We reserve the right to change specifications without notice. Photos and illustrations do not always show standard versions of machines. The above information is a general description only, all informations are supplied without liability.

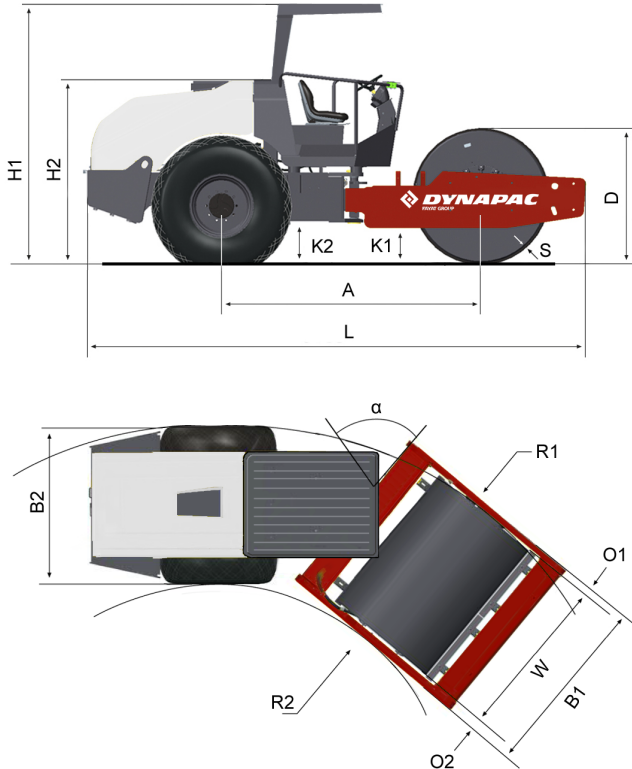
dynapac_ca255_en-20180705.111755.pdf 2018-07-05 11:17

Dynapac CA255

Single drum vibratory rollers



Technical data



Dimensions	
A. Wheelbase	2879 mm
B1. Width, front	2384 mm
B2. Width, rear	2130 mm
D. Drum diameter	1523 mm
H1. Height, with ROPS/cab	2977 mm
H2. Height, w/o ROPS/cab	2190 mm
K1. Ground clearance	453 mm
K2. Curb clearance	495 mm
L. Length	5550 mm
O1. Overhang, right	127 mm
O2. Overhang, left	127 mm
R1. Turning radius, outside	5400 mm
R2. Turning radius, inside	3100 mm
S. Drum shell thickness	25 mm
W. Drum width	2130 mm
α. Steering angle	±38°

Find us locally at www.dynapac.com

We reserve the right to change specifications without notice. Photos and illustrations do not always show standard versions of machines. The above information is a general description only, all informations are supplied without liability.