

# DYNAPAC

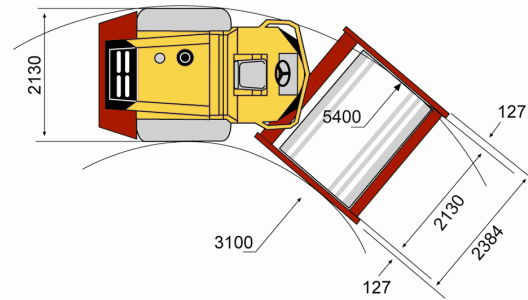
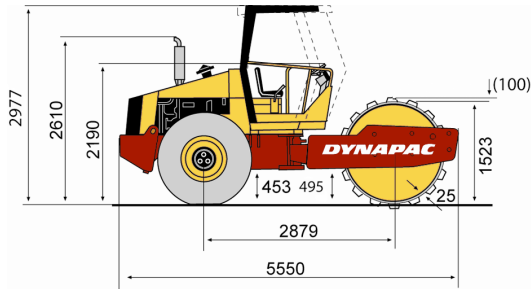
Part of the Atlas Copco Group

## CA250PD

### Single drum vibratory rollers



#### Technical data



	CA250PD
<b>Masses</b>	
Max. operating mass	13,050 kg
Operating mass (incl. ROPS)	11,600 kg
Front module mass	7,000 kg
Rear module mass	4,600 kg
<b>Traction</b>	
Number of pads	130
Pad area	146 cm <sup>2</sup>
Speed range (km/ h)	0 - 5
Theor. gradeability	65
Tyre size (8 ply)	23,1x26
Vertical oscillation	±9°
<b>Compaction</b>	
Centrifugal force, at high amplitude	300 kN
Centrifugal force, at low amplitude	146 kN
Nominal amplitude, high	1.60 mm
Nominal amplitude, low	0.80 mm
Vibration frequency, at high amplitude	33 Hz
Vibration frequency, at low amplitude	33 Hz
<b>Engine</b>	
Manufacturer	Cummins
Model	4BTA 3.9C (*)
Manufacturer	Cummins
Model	QSB4.5
Type	Water cooled turbo Diesel with After Cooler
Rated power	82 kW
Rated power	110 hp
Rated power @	2,200 rpm
Rated power (rating standard)	SAE J1995
Fuel tank capacity	250 l
<b>Hydraulic system</b>	
Driving	Axial piston pump with variable displacement. Axial piston motor with constant displacement. Radial piston motor with constant displacement.
Vibration	Axial piston pump with variable displacement and Axial piston motor with constant displacement.
Steering	Gear pump with constant displacement.
Parking/ Emergency brake	Failsafe multidisc brake in rear axle.
Service brake	Hydrostatic in forward and reverse lever.
<b>Notes</b>	
*	For sales outside ECC countries only

Find your local dealer at [www.dynapac.com](http://www.dynapac.com)

We reserve the right to change specifications without notice. Photos and illustrations do not always show standard versions of machines. The above information is a general description only, all informations are supplied without liability.