

# Dynapac CA250D (Brazilian)

## Single drum vibratory rollers

Atlas Copco



### Technical data



#### Masses

Operating mass (incl. Cab)	10600 kg
Operating mass (Cab + steel ballast)	11150 kg
Operating mass (Cab + steel/water ballast)	12000 kg
Max. operating mass (Cab + steel/water ballast + pad foot drum)	13600 kg
Module mass (front/rear)	6180/7300 kg



#### Traction

Speed range	0 - 7,5 km/h
Tyre size (8 ply)	23,1x26
Theor. gradeability	39 %
Vertical oscillation	±9°



#### Compaction

Static linear load	29.1 kg/cm
Nominal amplitude (high/low)	1.6/0.8 mm
Vibration frequency (high/low amplitude)	33/33 Hz
Centrifugal force (high/low amplitude)	374/307 kN



#### Engine

Manufacturer/Model	Cummins QSB 4.5 Tier 3
Type	Water cooled turbo Diesel
Rated power, SAE J1995	82 kW (110 hp ) @ 2200 rpm



#### Hydraulic system

Driving	Axial piston pump with variable displacement. Axial piston motor with constant displacement.
Vibration	Axial piston pump with variable displacement. Axial piston motor with constant displacement.
Steering	Gear pump with constant displacement.
Parking/ Emergency brake	Failsafe multidisc brake in rear axle.
Service brake	Hydrostatic in forward and reverse lever.

Find us locally at [www.atlascopco.com](http://www.atlascopco.com)

We reserve the right to change specifications without notice. Photos and illustrations do not always show standard versions of machines. The above information is a general description only, all informations are supplied without liability.

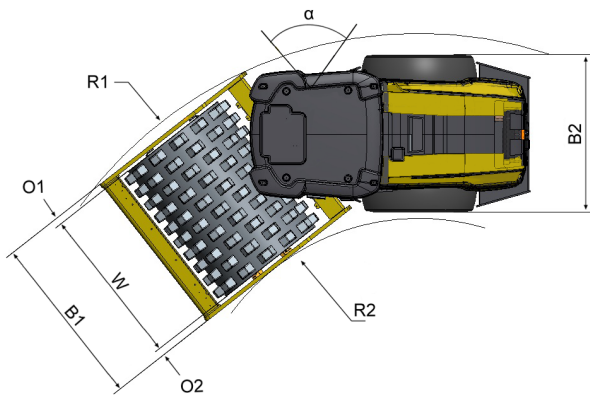
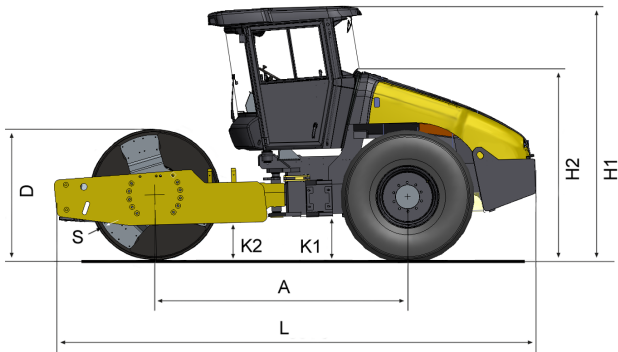
dynapac\_ca250d\_br\_en-20170628.125011.pdf 2017-06-28 12:50

# Dynapac CA250D (Brazilian)

## Single drum vibratory rollers

Atlas Copco

### Technical data



Dimensions	
A. Wheelbase	2879 mm
B1. Width, front	2324 mm
B2. Width, rear	2130 mm
D. Drum diameter	1523 mm
H1. Height, with ROPS	2952 mm
H2. Height, w/o ROPS/cab	2190 mm
K1. Ground clearance	453 mm
K2. Curb clearance	400 mm
L. Length	5550 mm
O1. Overhang, right	97 mm
O2. Overhang, left	97 mm
R1. Turning radius, outside	5400 mm
R2. Turning radius, inside	3100 mm
S. Drum shell thickness	25 mm
W. Drum width	2130 mm
α. Steering angle	±38°

Find us locally at [www.atlascopco.com](http://www.atlascopco.com)

We reserve the right to change specifications without notice. Photos and illustrations do not always show standard versions of machines. The above information is a general description only, all informations are supplied without liability.