

# CA2500PD

## Single drum vibratory rollers

# DYNAPAC

Part of the Atlas Copco Group



### Technical data



#### Masses

Operating mass (incl. ROPS)	11,000 kg
Operating mass (incl. Cab)	11,200 kg
Module mass (front/rear)	6,500/4,700 kg
Max. operating mass	11,400 kg



#### Traction

Speed range	5/6/7/12 km/h
Vertical oscillation	±9°
Tyre size (8 ply)	23,1 x 26 TR
Theor. gradeability	57 %



#### Compaction

Nominal amplitude (high/low)	2.0/1.1 mm
Vibration frequency (high/low amplitude)	30/30 Hz
Centrifugal force (high/low amplitude)	250/130 kN



#### Hydraulic system

Driving	Hydrostatic
Vibration	Hydrostatic
Steering	Hydrostatic
Service brake	Hydrostatic in forward and reverse lever.
Parking/ Emergency brake	Failsafe multidisc brake in drum gear box and in rear axle.



#### Engine

Fuel tank capacity	272 l
--------------------	-------



#### Engine

Manufacturer/Model	Cummins QSB4.5 (III B/4i)
Rated power, ISO 14396	97 kW (132 hp ) @ 2,200 rpm
Type	Water cooled turbo diesel



#### Engine

Manufacturer/Model	Cummins QSB4.5 (III A/3)
Rated power, ISO 14396	82 kW (110 hp ) @ 2,200 rpm
Type	Water cooled turbo diesel

Find your local dealer at [www.dynapac.com](http://www.dynapac.com)

We reserve the right to change specifications without notice. Photos and illustrations do not always show standard versions of machines. The above information is a general description only, all informations are supplied without liability.

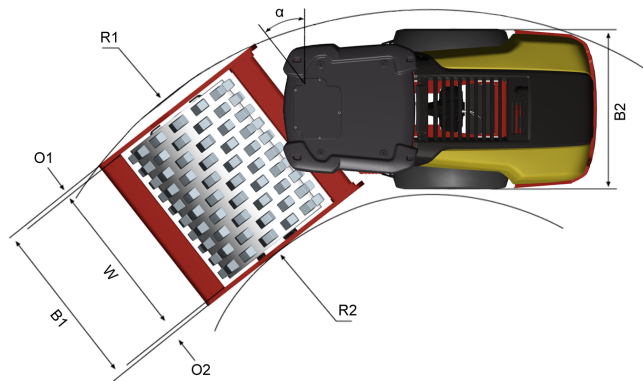
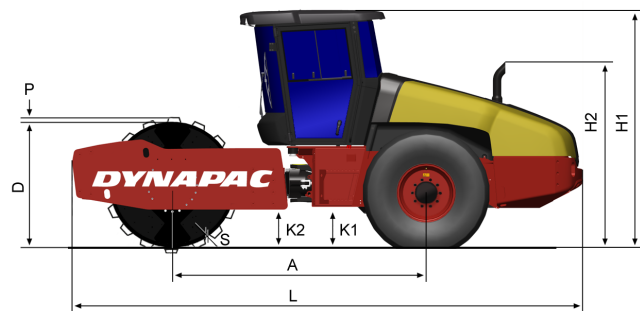
# CA2500PD

Single drum vibratory rollers

# DYNAPAC

Part of the Atlas Copco Group

## Technical data



Dimensions	
A. Wheelbase	3,100 mm
B1. Width, front	2,300 mm
B2. Width, rear	2,130 mm
D. Drum diameter	1,490 mm
H1. Height, with ROPS/cab	2,970 mm
H2. Height, w/o ROPS/cab	2,220 mm
K1. Ground clearance	450 mm
K2. Curb clearance	450 mm
L. Length	5,990 mm
O1. Overhang, right	85 mm
O2. Overhang, left	85 mm
R1. Turning radius, outside	5,600 mm
R2. Turning radius, inside	3,300 mm
S. Drum shell thickness	20 mm
W. Drum width	2,130 mm
α. Steering angle	±38°

Find your local dealer at [www.dynapac.com](http://www.dynapac.com)

We reserve the right to change specifications without notice. Photos and illustrations do not always show standard versions of machines. The above information is a general description only, all informations are supplied without liability.