



Dynapac CA1300PD


Single drum vibratory rollers





Technical data

 Masses	
Operating mass (incl. ROPS)	4750 kg
Module mass (front/rear)	2000 kg/2750 kg
Max. operating mass	5200 kg

 Traction	
Speed range (Dual/TC/AS)	0 -6 km/h
Tyre size (8 ply)	12.5-20
Theor. gradeability	52 %
Vertical oscillation	±9
Number of pads	72
Pad area	53 cm ²
Pad height	76 mm

 Compaction	
Nominal amplitude	1.5 mm
Vibration frequency	35 Hz
Centrifugal force	89 kN

 Engine	
Manufacturer/Model	Kubota V 3307 CR-TE4 (Stage IIIB/Tier4)
Type	Water cooled turbo Diesel
Rated power, SAE J1995	55 kW (75 hp) @ 2200 rpm
Fuel tank capacity	117 l

 Hydraulic system	
Driving	Axial piston pump with variable displacement. Axial piston motor with constant displacement. Axial piston motor with constant displacement.
Vibration	Gear pump/motor with constant displacement.
Steering	Gear pump with constant displacement.
Service brake	Hydrostatic in forward and reverse lever.
Parking/ Emergency brake	Failsafe multidisc brake in rear axle and front drum motor.

Find us locally at www.dynapac.com

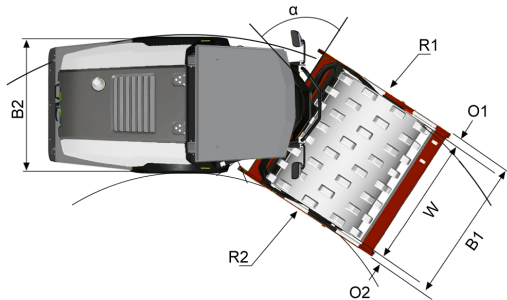
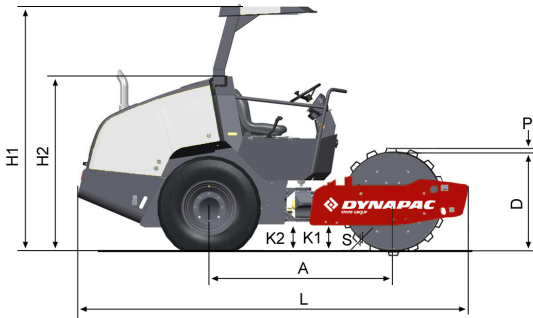
We reserve the right to change specifications without notice. Photos and illustrations do not always show standard versions of machines. The above information is a general description only, all informations are supplied without liability.

Dynapac CA1300PD

Single drum vibratory rollers



Technical data



Dimensions	
A. Wheelbase	1860 mm
B1. Width, front	1495 mm
B2. Width, rear	1400 mm
D. Drum diameter	1000 mm
H1. Height, with ROPS	2540 mm
H2. Height, w/o ROPS/cab	1810 mm
K1. Ground clearance	260 mm
K2. Curb clearance	260 mm
L. Length	3950 mm
O1. Overhang, right	62 mm
O2. Overhang, left	62 mm
P. Pad height	76 mm
R1. Turning radius, outside	3900 mm
R2. Turning radius, inside	2460 mm
S. Drum shell thickness	22 mm
W. Drum width	1370 mm
α . Steering angle	$\pm 33^\circ$

Find us locally at www.dynapac.com

We reserve the right to change specifications without notice. Photos and illustrations do not always show standard versions of machines. The above information is a general description only, all informations are supplied without liability.