

Dynapac CC4000 VI

Double drum vibratory rollers



Technical data



Masses

Max. operating mass	12850 kg
Operating mass (incl. ROPS)	9700 kg
Module mass (front/rear)	4850 kg/4850 kg



Traction

Speed range	0-12 km/h
Vertical oscillation	±7°
Theor. gradeability	45 %



Compaction

Centrifugal force (high/low amplitude)	113 kN/74 kN
Nominal amplitude (high/low)	0.8 mm/0.3 mm
Static linear load (front/rear)	28.9 kg/cm/28.9 kg/cm
Vibration frequency (high/low amplitude)	51 Hz/67 Hz
Water tank volume	680 liters /(880 liters w. opt. watert.)
Water tank volume (front drum steering)	740 liters



Compaction (CE)

Centrifugal force (high/low amplitude)	113 kN/67 kN
Nominal amplitude (high/low)	0.8 mm/0.3 mm
Static linear load (front/rear)	28.9 kg/cm/28.9 kg/cm
Vibration frequency (high/low amplitude)	51 Hz/64 Hz
Water tank volume	680 liters /(880 liters w. opt. watert.)
Water tank volume (front drum steering)	740 liters



Engine

Manufacturer/Model	Cummins QSF3.8 IV/T4f
Type	Water cooled turbo diesel with After Cooler
Rated power, SAE J1995	97 kW (130 hp) @ 2200 rpm
Fuel tank capacity	180 l
DEF tank capacity	15 l



Engine

Manufacturer/Model	Cummins QSF 3.8 IIIA/T3
Type	Water cooled turbo diesel with After Cooler
Rated power, SAE J1995	104 kW (140 hp) @ 2200 rpm
Fuel tank capacity	180 l



Hydraulic system

Driving	Axial piston pump with variable displacement. Radial piston motors (2) with variable displacement.
Vibration	Axial piston pumps (2) with variable displacement. Axial piston motors (2) with constant displacement.
Steering	Gear pump with constant displacement.
Service brake	Hydrostatic in forward and reverse lever.
Parking/ Emergency brake	Failsafe multidisc brake in both drums.

Find us locally at www.dynapac.com

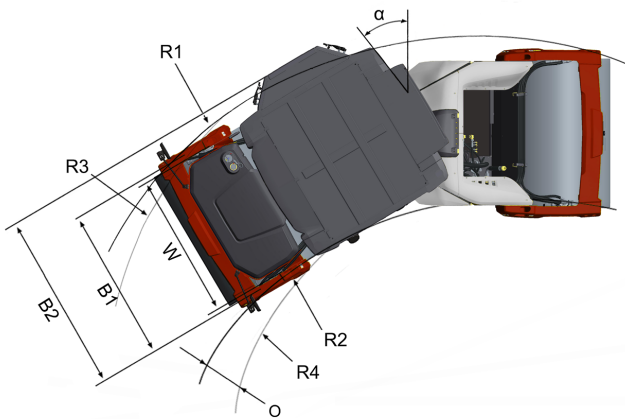
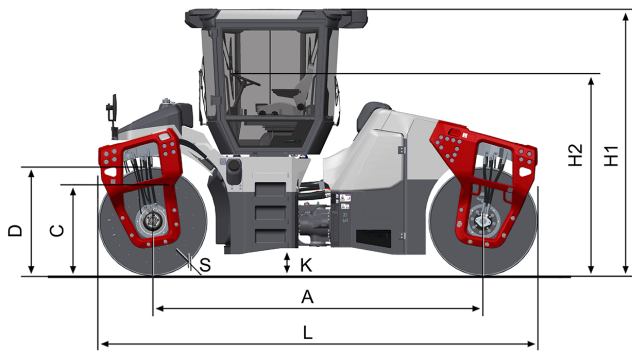
We reserve the right to change specifications without notice. Photos and illustrations do not always show standard versions of machines. The above information is a general description only, all informations are supplied without liability.

Dynapac CC4000 VI

Double drum vibratory rollers



Technical data



Dimensions	
A. Wheelbase	3680 mm
B1. Width, front	1910 mm
B2. Width, with cab	2140 mm
C. Curb clearance	815 mm
D. Drum diameter	1220 mm
H. Height, with ROPS/cab	2990 mm
K. Ground clearance	310 mm
L. Length	4900 mm
O. Off-set	520 mm
R1. Turning radius, outside	7270 mm
R2. Turning radius, inside	5590 mm
R3. Turning radius with off-set, outside	5460 mm
R4. Turning radius with off-set, inside	3780 mm
S. Drum shell thickness	18 mm
W. Drum width	1680 mm
α . Steering angle	$\pm 32^\circ$

Find us locally at www.dynapac.com

We reserve the right to change specifications without notice. Photos and illustrations do not always show standard versions of machines. The above information is a general description only, all informations are supplied without liability.