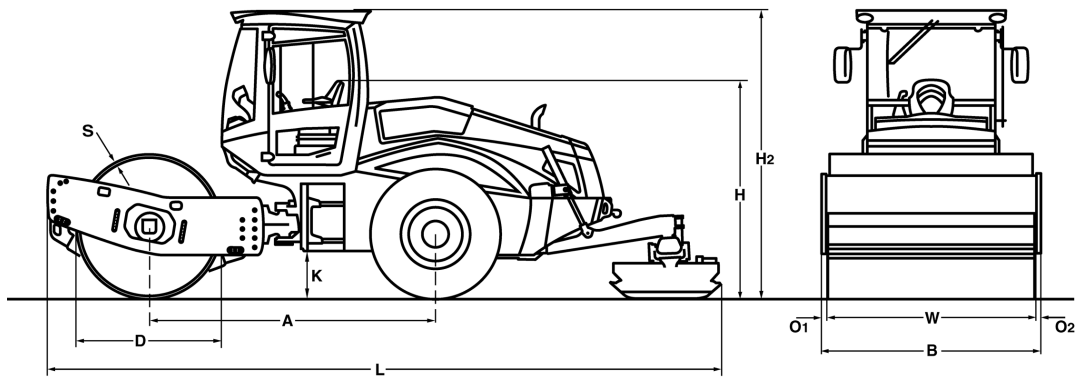


TECHNICAL DATA

BOMAG VARIOCONTROL (BVC)

BW 213 DH-5/P, BW 213 BVC-5/P





Dimensions in mm

	A	B	D	H	H2	K	L	O1	O2	S	W
BW 213 DH-5/P	2975	2270	1500	2250	2990	490	7025	70	70	30	2130
BW 213 BVC-5/P	2975	2270	1500	2250	2990	490	7025	70	70	30	2130

Shipping dimensions in m3

BW 213 DH-5/P
BW 213 BVC-5/P

without ROPS

35,880
 35,880

with ROPS

47,681
 47,681

Machine type	Compaction output (m3/h)			
	Rock fill	Gravel, sand	Mixed soil	Silt, clay
BW 213 DH-5/P	530-1060	360-720	270-540	180-360
BW 213 BVC-5/P	700-1400	480-960	360-720	210-420

Machine type	Compacted layer thickness (m)			
	Rock fill	Gravel, sand	Mixed soil	Silt, clay
BW 213 DH-5/P	0,90	0,65	0,50	0,25
BW 213 BVC-5/P	1,20	0,80	0,60	0,30

Technical Data**BOMAG
BW 213 DH-5/P****BOMAG
BW 213 BVC-5/P****Weights**

Grossweight	kg	17.120	17.920
Operating weight CECE w. ROPS-cabin	kg	15.110	15.910
Axle load, drum CECE	kg	6.130	6.820
Axle load, wheels CECE	kg	8.980	9.090
Static linear load CECE	kg/cm	28,8	32,0

Dimensions

Working width	mm	2.130	2.130
Track radius, inner	mm	3.680	3.680

Driving Characteristics

Speed	km/h	0- 12,0	0- 12,0
Max. gradeability without/with vibr.	%	59/56	58/55

Drive

Engine manufacturer		Deutz	Deutz
Type		TCD 4.1 L4	TCD 4.1 L4
Emission stage		Stage IV / TIER4f	Stage IV / TIER4f
Exhaust gas aftertreatment		DOC+DPF+SCR	DOC+DPF+SCR
Cooling		Liquid	Liquid
Number of cylinders		4	4
Performance ISO 3046	kW	115,0	115,0
Performance SAE J 1995	hp	155,0	155,0
Speed	min-1	2.100	2.100
Fuel		diesel	diesel
Electric equipment	V	12	12
Drive system		hydrost.	hydrost.
Drum driven		standard	standard

Drums and Tyres

Tyre size		23.1-26 12PR	23.1-26 12PR
-----------------	--	--------------	--------------

Brakes

Service brake		hydrost.	hydrost.
Parking brake		hydromec.	hydromec.

Steering

Steering system		oscil.artic.	oscil.artic.
Steering method		hydrost.	hydrost.
Steering / oscillating angle +/-	grad	35/12	35/12

Exciter system

Drive system		hydrost.	hydrost.
Frequency (1)	Hz	30	28
Amplitude (1)	mm	2,10	0 - 2,25
Amplitude (2)	mm	1,10	
Centrifugal force	kN	285/194	365
Centrifugal force	t	29,1/19,8	37,2

Exciter system Vibrating Plates

Frequency	Hz	30-55	30-55
Centrifugal force max.	kN	22-75	22-75

Capacities

Fuel	l	250,0	250,0
------------	---	-------	-------

Technical modifications reserved. Machines may be shown with options.

Standard Equipment

- BOMAG ECOMODE
- TERRAMETER (BVC)
- Oscillation mode
- Warning, information and operation displays with LCD
- Noise insulation
- Hydrostatic travel and vibration drive
- Hydrostatic articulated steering
- Articulated joint lock
- Rear axle with twin spring accumulator brakes
- No-Spin differential lock
- Warning horn
- Single lever control for travel and vibration
- Seat with arm rest and adj. for position and height
- 2 Scrapers
- Emergency STOP
- Back-up alarm
- Working lights front / rear
- Double pump system for travel drive
- Loading mode
- Battery disconnect switch

Optional Equipment

- * ROPS/FOPS cabin with seat belts (BVC)
 - Sliding window
- ROPS/FOPS with safety belt
- Air condition
- Rearview camera
- BOMAG ECOSTOP
- BOMAG TELEMATIC POWER
- Padfoot segment kit
- Radio (Bluetooth)
- Indicator and hazard lights
- BCM 05 Documentation system
- Special painting
- Rotary beacon
- Pre start cabin heating
- Environmentally compliant hydraulic oil
- TERRAMETER (DH)
- ECONOMIZER
- ROPS/FOPS cabin with seat belts (DH)
 - Sliding window
- Comfort package: Adjustable seat and adjustable steering column
- Measuring- and machine data interface for third-party suppliers
- LED Working lights (Cabin)

* Standard delivery with CE conformity
(valid within European Union)#72

