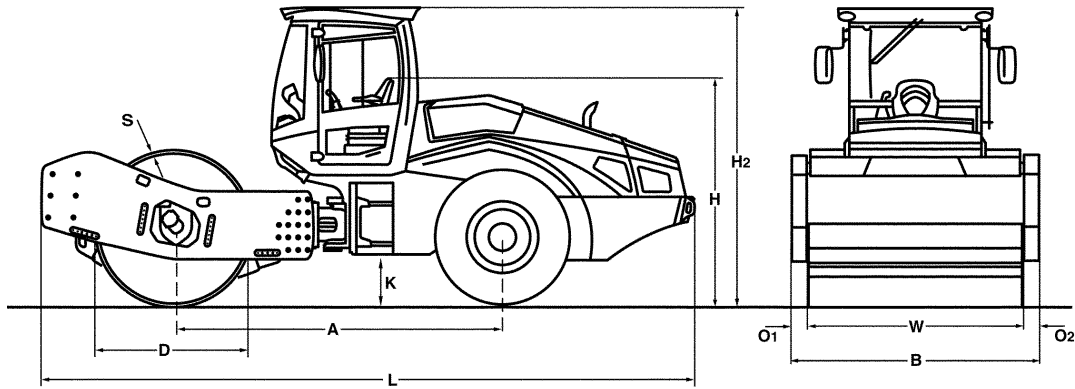


TECHNICAL DATA

SINGLE DRUM ROLLERS

BW 226 BVC-5





Dimensions in mm

	A	B	D	H	H2	K	L	O1	O2	S	W
BW 226 BVC-5	3355	2500	1600	2339	3078	430	6740	185	185	40	2130

Shipping dimensions in m3

BW 226 BVC-5

without ROPS

39,412

with ROPS

51,864

Machine type	Compaction output (m3/h)			
	Rock fill	Gravel, sand	Mixed soil	Silt, clay
BW 226 BVC-5	1180-2120	980-1800	700-1350	385-770

Machine type	Compacted layer thickness (m)			
	Rock fill	Gravel, sand	Mixed soil	Silt, clay
BW 226 BVC-5	2,00	1,60	1,10	0,50

Technical Data

BOMAG BW 226 BVC-5

Weights

Grossweight	kg	27.580
Operating weight CECE w. ROPS-cabin	kg	25.880
Axle load, drum CECE	kg	17.930
Axle load, wheels CECE	kg	7.950
Static linear load CECE	kg/cm	84,2

Dimensions

Working width	mm	2.130
Track radius, inner	mm	4.260

Driving Characteristics

Speed	km/h	0- 9,0
Max. gradeability without/with vibr.	%	50/47

Drive

Engine manufacturer		Deutz
Type		TCD 6.1 L6
Emission stage		Stage IV / TIER4f
Exhaust gas aftertreatment		DOC+DPF+SCR
Cooling		Liquid
Number of cylinders		6
Performance ISO 3046	kW	150,0
Performance SAE J 1995	hp	202,0
Speed	min-1	2.300
Fuel		diesel
Electric equipment	V	12
Drive system		hydrost.
Drum driven		standard

Drums and Tyres

Tyre size		23.5-25 16PR
-----------------	--	--------------

Brakes

Service brake		hydrost.
Parking brake		hydromec.

Steering

Steering system		oscil.artic.
Steering method		hydrost.
Steering / oscillating angle +/-	grad	35/12

Exciter system

Frequency	Hz	26
Amplitude (1)	mm	0 - 2,70
Centrifugal force	kN	500
Centrifugal force	t	51,0

Vario system

Drive system		hydrost.
--------------------	--	----------

Capacities

Fuel	l	250,0
------------	---	-------

Technical modifications reserved. Machines may be shown with options.

Standard Equipment

- BOMAG ECOMODE
- BOMAG VARIOCONTROL
- TERRAMETER
- Oscillation mode
- Warning, information and operation displays with LCD
- Noise insulation
- Hydrostatic travel and vibration drive
- Hydrostatic articulated steering
- Articulated joint lock
- Rear axle with twin spring accumulator brakes
- No-Spin differential lock
- Warning horn
- Single lever control for travel and vibration
- Seat with arm rest and adj. for position and height
- 2 Scrapers
- Emergency STOP
- Back-up alarm
- Working lights front / rear
- Double pump system for travel drive
- Loading mode
- Battery disconnect switch

Optional Equipment

- * ROPS/FOPS cabin with seat belts
 - Sliding window
- Air condition
- Rearview camera
- BOMAG ECOSTOP
- BOMAG TELEMATIC POWER
- Padfoot segment kit
- Radio (Bluetooth)
- Indicator and hazard lights
- BCM 05 Documentation system
- Special painting
- Rotary beacon
- Pre start cabin heating
- Environmentally compliant hydraulic oil
- Comfort package: Adjustable seat and adjustable steering column
- Measuring- and machine data interface for third-party suppliers
- Reversing alarm buzzer with broad band audio

* Standard delivery with CE conformity
(valid within European Union)

