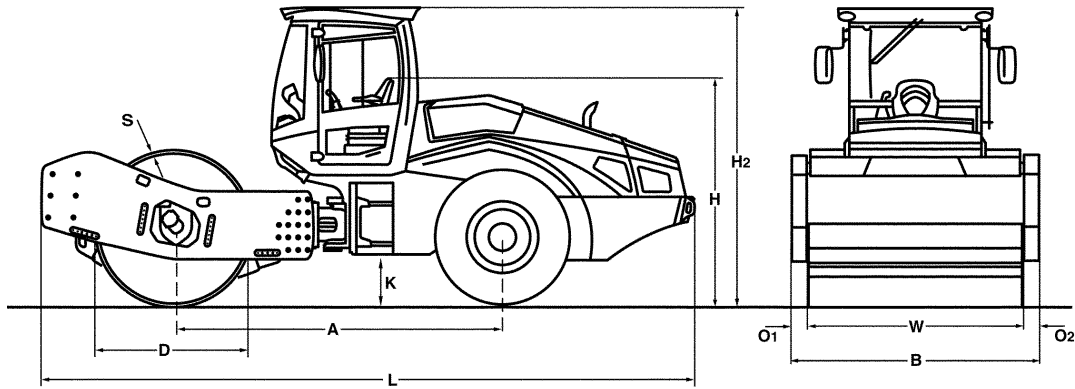


# TECHNICAL DATA

BOMAG VARIOCONTROL (BVC)

BW 219 BVC-5





**Dimensions in mm**

	<b>A</b>	<b>B</b>	<b>D</b>	<b>H</b>	<b>H2</b>	<b>K</b>	<b>L</b>	<b>O1</b>	<b>O2</b>	<b>S</b>	<b>W</b>
<b>BW 219 BVC-5</b>	3255	2300	1600	2295	3034	495	6500	85	85	40	2130

**Shipping dimensions in m3**

**BW 219 BVC-5**

**without ROPS**

34,310

**with ROPS**

45,358

<b>Machine type</b>	<b>Compaction output (m3/h)</b>			
	<b>Rock fill</b>	<b>Gravel, sand</b>	<b>Mixed soil</b>	<b>Silt, clay</b>
BW 219 BVC-5	940-1880	800-1520	580-980	310-590

<b>Machine type</b>	<b>Compacted layer thickness (m)</b>			
	<b>Rock fill</b>	<b>Gravel, sand</b>	<b>Mixed soil</b>	<b>Silt, clay</b>
BW 219 BVC-5	1,70	1,20	0,85	0,40

## Technical Data

## BOMAG BW 219 BVC-5

### Weights

Grossweight .....	kg	23.000
Operating weight CECE w. ROPS-cabin .....	kg	20.300
Axle load, drum CECE .....	kg	13.500
Axle load, wheels CECE .....	kg	6.800
Static linear load CECE .....	kg/cm	63,4

### Dimensions

Working width .....	mm	2.130
Track radius, inner .....	mm	4.120

### Driving Characteristics

Speed .....	km/h	0- 10,0
Max. gradeability without/with vibr. ....	%	59/56

### Drive

Engine manufacturer .....		Deutz
Type .....		TCD 6.1 L6
Emission stage .....		Stage IV / TIER4f
Exhaust gas aftertreatment .....		DOC+DPF+SCR
Cooling .....		Liquid
Number of cylinders .....		6
Performance ISO 3046 .....	kW	150,0
Performance SAE J 1995 .....	hp	202,0
Speed .....	min-1	2.300
Fuel .....		diesel
Electric equipment .....	V	12
Drive system .....		hydrost.
Drum driven .....		standard

### Drums and Tyres

Tyre size .....		23,1-26 12PR
-----------------	--	--------------

### Brakes

Service brake .....		hydrost.
Parking brake .....		hydromec.

### Steering

Steering system .....		oscil.artic.
Steering method .....		hydrost.
Steering / oscillating angle +/- .....	grad	35/12

### Exciter system

Drive system .....		hydrost.
Frequency .....	Hz	26
Amplitude (1) .....	mm	0 - 2,70
Centrifugal force .....	kN	500
Centrifugal force .....	t	51,0

### Capacities

Fuel .....	l	280,0
------------	---	-------

Technical modifications reserved. Machines may be shown with options.

### Standard Equipment

- BOMAG ECOMODE
- BOMAG VARIOCONTROL
- TERRAMETER
- Oscillation mode
- Warning, information and operation displays with LCD
- Noise insulation
- Hydrostatic travel and vibration drive
- Hydrostatic articulated steering
- Articulated joint lock
- Rear axle with twin spring accumulator brakes
- No-Spin differential lock
- Warning horn
- Single lever control for travel and vibration
- Seat with arm rest and adj. for position and height
- 2 Scrapers
- Emergency STOP
- Back-up alarm
- Working lights front / rear
- Double pump system for travel drive
- Loading mode
- Sliding window
- Battery disconnect switch

### Optional Equipment

- \* ROPS/FOPS cabin with seat belts
  - Sliding window
- Air condition
- Rearview camera
- BOMAG ECOSTOP
- BOMAG TELEMATIC POWER
- Padfoot segment kit
- Radio (Bluetooth)
- Indicator and hazard lights
- BCM 05 Documentation system
- Special painting
- Rotary beacon
- Pre start cabin heating
- Environmentally compliant hydraulic oil
- Comfort package: Adjustable seat and adjustable steering column
- Measuring- and machine data interface for third-party suppliers
- Reversing alarm buzzer with broad band audio
- LED Working lights (Cabin)

\* Standard delivery with CE conformity  
(valid within European Union)#72

