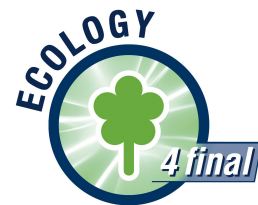
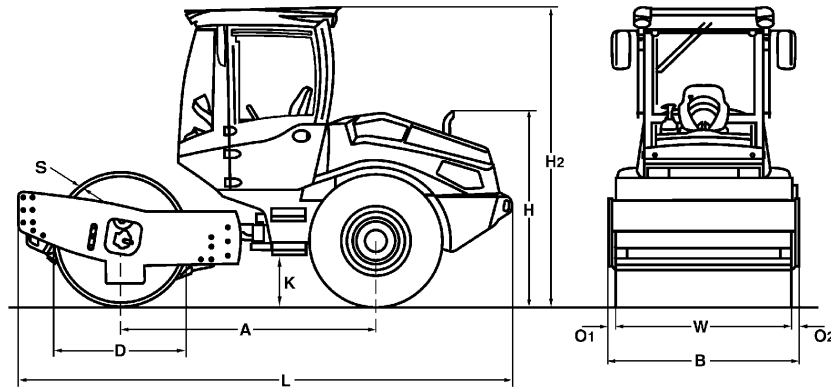


TECHNICAL DATA

SINGLE DRUM ROLLER

BW 177 BVC-5





Dimensions in mm

	A	B	D	H	H2	K	L	O1	O2	S	W
BW 177 BVC-5	2350	1820	1228	1654	2800	380	4541	65	65	20	1686

Shipping dimensions in m3

BW 177 BVC-5

without ROPS

13,670

with ROPS

23,141

Machine type	Compaction output (m3/h)			
	Rock fill	Gravel, sand	Mixed soil	Silt, clay
BW 177 BVC-5	370-740	240-480	190-380	95-190

Machine type	Compacted layer thickness (m)			
	Rock fill	Gravel, sand	Mixed soil	Silt, clay
BW 177 BVC-5	0,80	0,50	0,40	0,20

Technical Data

BOMAG BW 177 BVC-5

Weights

Grossweight	kg	8.000
Operating weight CECE w. ROPS-cabin	kg	7.000
Axle load, drum CECE	kg	4.250
Axle load, wheels CECE	kg	2.750
Static linear load CECE	kg/cm	25,2

Dimensions

Working width	mm	1.686
Track radius, inner	mm	2.975

Driving Characteristics

Speed (1)	km/h	0-10
Max. gradeability without/with vibr.	%	60/57

Drive

Engine manufacturer		Kubota
Type		V3307 CR-T
Emission stage		Stage IV / TIER4f
Exhaust gas aftertreatment		DOC+DPF
Cooling		water
Number of cylinders		4
Performance ISO 3046	kW	55,4
Performance SAE J 1995	hp	75,0
Speed	min-1	2.400
Fuel		diesel
Electric equipment	V	12
Drive system		hydrost.
Drum driven		standard

Drums and Tyres

Tyre size		14.9-24/8PR
-----------------	--	-------------

Brakes

Service brake		hydrost.
Parking brake		hydromec.

Steering

Steering system		oscil.artic.
Steering method		hydrost.
Steering / oscillating angle +/-	grad	35/12

Exciter system

Drive system		hydrost.
Frequency (1)	Hz	28
Amplitude (1)	mm	0 - 2,20
Centrifugal force	kN	150
Centrifugal force	t	15,3

Capacities

Fuel	l	110,0
------------	---	-------

Technical modifications reserved. Machines may be shown with options.

Standard Equipment

- BOMAG ECOMODE
- BOMAG VARIOCONTROL
- TERRAMETER
- Oscillation mode
- Double pump system for travel drive
- No-Spin differential lock
- Rear axle with twin spring accumulator brakes
- Hydrostatic travel and vibration drive
- Hydrostatic articulated steering
- Articulated joint lock
- Warning, information and operation displays
- Single lever control for travel and vibration
- Emergency STOP
- Warning horn
- Back-up warning system
- Noise insulation
- 2 Contact scrapers Plastic

Optional Equipment

- * ROPS cabin with seat belts
- * Working lights front/rear
- Air condition
- Sliding window
- Printer for TERRAMETER
- Radio (Bluetooth)
- ROPS/FOPS with safety belt
- Adjustable steering column
- BOMAG ECOSTOP
- Rotary beacon
- Indicator and hazard lights
- Padfoot segment kit
- BCM 05 Documentation system
- Special painting
- Environmentally compliant hydraulic oil
- Reversing alarm buzzer with broad band audio
- Rearview camera
- BOMAG TELEMATIC
- Tractor tires
- Measuring- and machine data interface for third-party suppliers
- LED Working lights (Cabin)

* Standard delivery with CE conformity
(valid within European Union)

