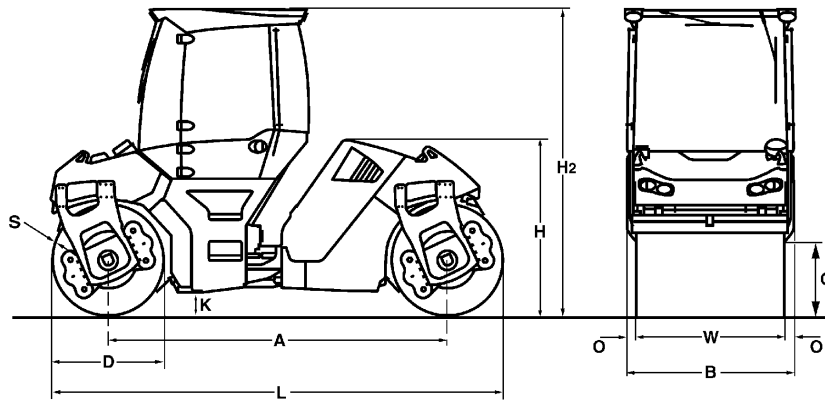


# TECHNICAL DATA

TANDEM ROLLERS

BW 141 AD-5, BW 151 AD-5, BW 154 AD-5





**Dimensions in mm**

	<b>A</b>	<b>B</b>	<b>C</b>	<b>D</b>	<b>H</b>	<b>H2</b>	<b>K</b>	<b>L</b>	<b>O</b>	<b>S</b>	<b>W</b>
<b>BW 141 AD-5</b>	3300	1664	730	1100	2240	3000	250	4400	82	16	1500
<b>BW 151 AD-5</b>	3300	1844	730	1100	2200	3000	250	4400	82	16	1680
<b>BW 154 AD-5</b>	3300	1844	730	1100	2240	3000	250	4400	82	16	1680

**Shipping dimensions in m3**

**BW 141 AD-5**  
**BW 151 AD-5**  
**BW 154 AD-5**

**without ROPS**

16,400  
 17,850  
 18,174

**with ROPS**

21,965  
 24,341  
 24,341

<b>Machine type</b>	<b>Compaction output (m3/h) at recommended soil layer thicknesses</b>		
	<b>Gravel, sand</b>	<b>Mixed soil</b>	<b>Silt, clay</b>
BW 141 AD-5	140-280	120-250	65-130
BW 151 AD-5	160-320	150-300	75-150

<b>Machine type</b>	<b>Compaction output (t/h) at different asphalt layer thicknesses</b>		
	<b>2-4 cm</b>	<b>6-8 cm</b>	<b>10-14 cm</b>
BW 141 AD-5	35-70	70-150	100-180
BW 151 AD-5	40-80	80-170	120-200
BW 154 AD-5	40-80	80-170	120-200

## Technical Data

### BOMAG BW 141 AD-5

### BOMAG BW 151 AD-5

### BOMAG BW 154 AD-5

#### Weights

Operating weight CECE w. cab. ....	kg	6.900	7.600	8.300
Axle load, front CECE .....	kg	3.560	3.900	4.250
Axle load, rear CECE .....	kg	3.340	3.700	4.050
Static linear load, front CECE .....	kg/cm	23,7	23,2	25,3
Static linear load, rear CECE .....	kg/cm	22,3	22,0	24,1
Grossweight .....	kg	8.700	9.300	9.900

#### Dimensions

Track radius, inner .....	mm	4.480	4.390	4.390
---------------------------	----	-------	-------	-------

#### Drums

Split drum .....		no	no	front + rear
------------------	--	----	----	--------------

#### Driving Characteristics

Max. travel speed .....	km/h	0- 12,0	0- 12,0	0- 12,0
Max. gradeability without/with vibr. ...	%	40/30	40/30	36/30

#### Drive

Engine manufacturer .....		Kubota	Kubota	Kubota
Type .....		V3307 CR-T	V3307 CR-T	V3307 CR-T
Emission stage .....		Stage IIIb / TIER4f	Stage IIIb / TIER4f	Stage IIIb / TIER4f
Exhaust gas aftertreatment .....		DOC+DPF	DOC+DPF	DOC+DPF
Cooling .....		water	water	water
Number of cylinders .....		4	4	4
Performance ISO 14396 .....	kW	55,4	55,4	55,4
Performance SAE J 1995 .....	hp	74,3	74,3	74,3
Speed .....	min-1	2.400	2.400	2.400
Electric equipment .....	V	12	12	12

#### Brakes

Service brake .....		hydrost.	hydrost.	hydrost.
Parking brake .....		multi disc	multi disc	multi disc

#### Steering

Steering system .....		oscil.artic.	oscil.artic.	oscil.artic.
-----------------------	--	--------------	--------------	--------------

#### Exciter system

Vibrating drum .....		front + rear	front + rear	front + rear
Autom. vibr. shut off .....		standard	standard	standard
Frequency .....	Hz	45/55	45/55	45/55
Amplitude .....	mm	0,71/0,28	0,68/0,26	0,61/0,30
Centrifugal force .....	kN	75/45	75/45	89/65
Centrifugal force .....	t	7,6/4,6	7,6/4,6	9,1/6,6

#### Capacities

Fuel .....	l	125,0	125,0	125,0
Water .....	l	600,0	600,0	600,0

Technical modifications reserved. Machines may be shown with options.

### Standard Equipment

- 2 amplitudes / 2 frequencies
- ECOMODE
- Autom. vibration operation
- Individual vibration control
- Driver's seat, slewable
  - laterally slidable with steering wheel
- Emergency stop button
- On-board computer
  - engine speed
  - Speedometer
  - Fuel consumption
  - Engine temperature
- V-belt protection
- Pressure sprinkling system with 2 pumps
- Indicator and hazard lights
- Back-up alarm
- Battery disconnect switch
- Compartments for documents and tools

### Optional Equipment

- ROPS cabin with seat belts
  - + heating, Ventilation
  - + 4 Working head lights
- ROPS cabin with air conditioning
- Rotary beacon
- Crab-walk to both sides (170mm)
- 2 LED-lights for cabin roof (flatbeam)
- Edge cutter
- Special painting
- Environmentally compliant hydraulic oil
- Radio/Radio preparation
- ROPS/FOPS with safety belt
- Precision spreader BS150 laterally slidable
- Asphalt temperature display
- Additional weight 600kg (BW151AD-5)
- Lighting for drum edge front and rear
- Seat heating
- Frequency 70Hz
- Approval by the German TÜV
- BOMAG TELEMATIC POWER
- Outside mirrors
- ECONOMIZER
- BCM-Documentation system

