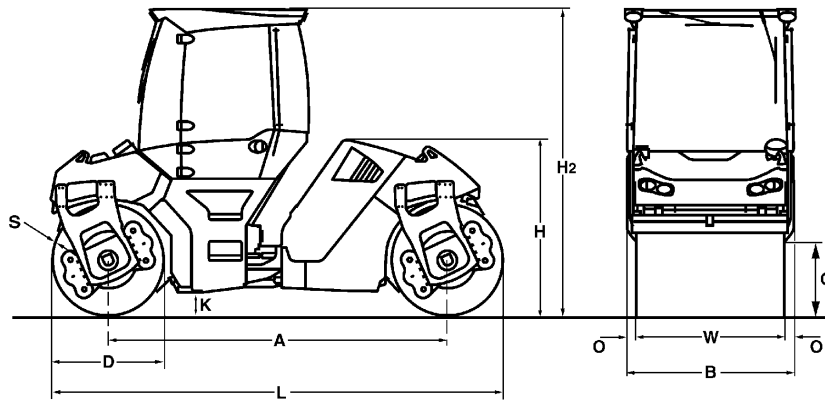


TECHNICAL DATA

TANDEM ROLLERS

BW 141 AD-50, BW 151 AD-50





Dimensions in mm

| | A | B | C | D | H | H2 | K | L | O | S | W |
|---------------------|----------|----------|----------|----------|----------|-----------|----------|----------|----------|----------|----------|
| BW 141 AD-50 | 3300 | 1664 | 730 | 1100 | 2240 | 3000 | 250 | 4400 | 82 | 16 | 1500 |
| BW 151 AD-50 | 3300 | 1844 | 730 | 1100 | 2200 | 3000 | 250 | 4400 | 82 | 16 | 1680 |

Shipping dimensions in m3

BW 141 AD-50
BW 151 AD-50

without ROPS

16,400
 17,850

with ROPS

21,965
 24,341

| Machine type | Compaction output (m3/h) at recommended soil layer thicknesses | | |
|---------------------|---|-------------------|-------------------|
| | Gravel, sand | Mixed soil | Silt, clay |
| BW 141 AD-50 | 140-280 | 120-250 | 50-120 |
| BW 151 AD-50 | 150-310 | 130-280 | 60-180 |

| Machine type | Compaction output (t/h) at different asphalt layer thicknesses | | |
|---------------------|---|---------------|-----------------|
| | 2-4 cm | 6-8 cm | 10-14 cm |
| BW 141 AD-50 | 35-60 | 50-130 | 80-150 |
| BW 151 AD-50 | 35-70 | 60-130 | 90-160 |

Technical Data**BOMAG
BW 141 AD-50****BOMAG
BW 151 AD-50****Weights**

| | | | |
|--------------------------------------|-------|-------|-------|
| Operating weight CECE w. cab. | kg | 6.900 | 7.600 |
| Axle load, front CECE | kg | 3.560 | 3.900 |
| Axle load, rear CECE | kg | 3.340 | 3.700 |
| Static linear load, front CECE | kg/cm | 23,7 | 23,2 |
| Static linear load, rear CECE | kg/cm | 22,3 | 22,0 |
| Grossweight | kg | 8.700 | 9.200 |

Dimensions

| | | | |
|---------------------------|----|-------|-------|
| Track radius, inner | mm | 4.480 | 4.390 |
|---------------------------|----|-------|-------|

Driving Characteristics

| | | | |
|---|------|---------|---------|
| Max. travel speed | km/h | 0- 11,0 | 0- 11,0 |
| Max. gradeability without/with vibr. | % | 40/30 | 40/30 |

Drive

| | | | |
|------------------------------|-------|---------------------|---------------------|
| Engine manufacturer | | Kubota | Kubota |
| Type | | V 3307 DI-T | V 3307 DI-T |
| Emission stage | | Stage IIIa / TIER4i | Stage IIIa / TIER4i |
| Cooling | | water | water |
| Number of cylinders | | 4 | 4 |
| Performance ISO 14396 | kW | 55,4 | 55,4 |
| Performance SAE J 1995 | hp | 74,3 | 74,3 |
| Speed | min-1 | 2.200 | 2.200 |
| Electric equipment | V | 12 | 12 |

Brakes

| | | | |
|---------------------|--|------------|------------|
| Service brake | | hydrost. | hydrost. |
| Parking brake | | multi disc | multi disc |

Steering

| | | | |
|-----------------------|--|--------------|--------------|
| Steering system | | oscil.artic. | oscil.artic. |
|-----------------------|--|--------------|--------------|

Exciter system

| | | | |
|-----------------------------|----|--------------|--------------|
| Vibrating drum | | front + rear | front + rear |
| Autom. vibr. shut off | | standard | standard |
| Frequency | Hz | 45/55 | 45/55 |
| Amplitude | mm | 0,71/0,28 | 0,71/0,27 |
| Centrifugal force | kN | 75/45 | 75/45 |
| Centrifugal force | t | 7,6/4,6 | 7,6/4,6 |

Capacities

| | | | |
|-------------|---|-------|-------|
| Fuel | l | 125,0 | 125,0 |
| Water | l | 600,0 | 600,0 |

Technical modifications reserved. Machines may be shown with options.

Standard Equipment

- 2 amplitudes / 2 frequencies
- Autom. vibration operation
- Individual vibration control
- Driver's seat, slewable (-15/+75°)
- laterally slidable with steering wheel
- V-belt protection
- Pressure sprinkling system with 2 pumps
- Back-up alarm
- Battery disconnect switch
- Folding scrapers

Optional Equipment

- ROPS cabin with seat belts
+ heating, Ventilation
+ 4 Working head lights
- ROPS cabin with air conditioning
- Rotary beacon
- 2 LED-lights for cabin roof (flatbeam)
- ROPS/FOPS
- Asphalt temperature display
- Crab-walk to both sides (170mm)
- BOMAG TELEMATIC START
- Compartments for documents and tools
- Outside mirrors
- Working lights
- Lights with german regulations
- Frequency 70Hz
- Additional weight 600kg (BW151AD-50)
- BCM-Documentation system
- ECONOMIZER
- Edge cutter

