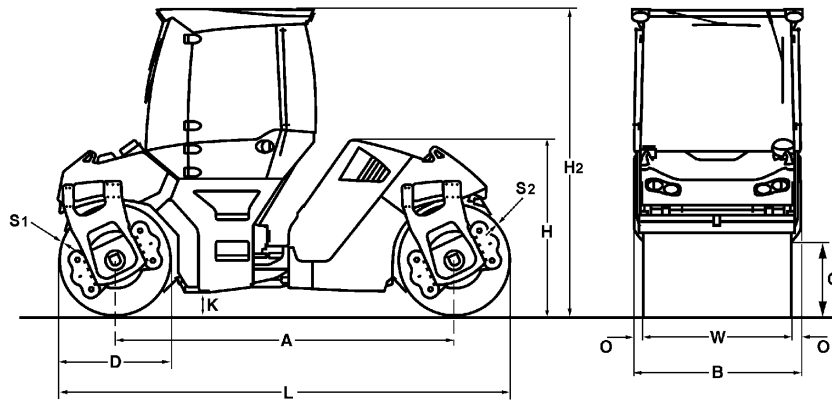


TECHNICAL DATA

BOMAG OSZILLATION

BW 161 ADO-5, BW 190 ADO-5, BW 202 ADO-5





Dimensions in mm

	A	B	C	D	H	H2	K	L	O	S1	S2	W
BW 161 ADO-5	3620	1836	670	1220	2315	3050	250	4840	78	17	13	1680
BW 190 ADO-5	3620	2146	670	1220	2315	3050	250	4840	78	19	13	1990
BW 202 ADO-5	3620	2291	670	1220	2315	3050	250	4840	78	19	13	2135

Shipping dimensions in m3

BW 161 ADO-5
BW 190 ADO-5
BW 202 ADO-5

without ROPS

20,572
 24,045
 25,670

with ROPS

27,103
 31,679
 33,820

Machine type	Compaction output (m3/h) at recommended soil layer thicknesses		
	Gravel, sand	Mixed soil	Silt, clay
BW 161 ADO-5	150-320	135-260	100-220
BW 190 ADO-5	260-500	180-360	140-220
BW 202 ADO-5	280-550	200-400	150-250

Machine type	Compaction output (t/h) at different asphalt layer thicknesses		
	2-4 cm	6-8 cm	10-14 cm
BW 161 ADO-5	50-100	100-200	150-230
BW 190 ADO-5	70-120	120-230	190-300
BW 202 ADO-5	80-160	130-270	200-340

Technical Data**BOMAG
BW 161 ADO-5****BOMAG
BW 190 ADO-5****BOMAG
BW 202 ADO-5****Weights**

Operating weight CECE w. cab.	kg	9.600	11.500	11.650
Axle load, front CECE	kg	5.100	6.200	6.350
Axle load, rear CECE	kg	4.500	5.300	5.300
Static linear load, front CECE	kg/cm	30,4	31,0	29,7
Static linear load, rear CECE	kg/cm	26,2	25,5	24,4
Grossweight	kg	10.600	12.700	13.000

Dimensions

Track radius, inner	mm	4.900	4.745	4.673
---------------------------	----	-------	-------	-------

Driving Characteristics

Max. travel speed	km/h	0- 12,0	0- 15,0	0- 12,0
Max. gradeability without/with vibr. ...	%	35/30	35/30	35/30

Drive

Engine manufacturer		Deutz	Deutz	Deutz
Type		TCD 3.6 L4	TCD 3.6 L4	TCD 3.6 L4
Emission stage		Stage IV / TIER4f	Stage IV / TIER4f	Stage IV / TIER4f
Exhaust gas aftertreatment		DOC+SCR	DOC+SCR	DOC+SCR
Cooling		Liquid	Liquid	Liquid
Number of cylinders		4	4	4
Performance ISO 14396	kW	95,0	95,0	95,0
Performance SAE J 1995	hp	127,0	127,0	127,0
Speed	min-1	2.300	2.300	2.300
Electric equipment	V	12	12	12

Brakes

Service brake		hydrost.	hydrost.	hydrost.
Parking brake		multi disc	multi disc	multi disc

Steering

Steering system		oscil.artic.	oscil.artic.	oscil.artic.
-----------------------	--	--------------	--------------	--------------

Exciter system

Vibrating drum		front	front	front
Autom. vibr. shut off		standard	standard	standard
Frequency	Hz	40/53	40/55	40/55
Amplitude	mm	0,87/0,44	0,90/0,34	0,84/0,31
Centrifugal force	kN	95/90	126/88	126/88
Centrifugal force	t	9,7/9,2	12,8/9,0	12,8/9,0
Oscillating drum		rear	rear	rear
O. Frequency	Hz	40	40	40
O. Amplitude	mm	1,38	1,36	1,37

Capacities

Fuel	l	145,0	145,0	145,0
Water	l	750,0	750,0	750,0

Technical modifications reserved. Machines may be shown with options.

Standard Equipment

- Front drum vibration: 2 amplitudes / 2 frequencies
- TanGO Rear drum Oscillation: 1 Amplitude/ 1 Frequency
- Highly wear resistant oscillation drum
- ECOMODE
- Autom. vibration operation
- Vibration and oscillation individually switchable
- Driver's seat, slewable
 - laterally slidable with steering wheel
- Emergency stop button
- On-board computer
 - engine speed
 - Speedometer
 - Fuel consumption
 - Engine temperature
- V-belt protection
- Pressure sprinkling system with 2 pumps
- Indicator and hazard lights
- Back-up alarm
- Battery disconnect switch
- Compartments for documents and tools

Optional Equipment

- ROPS cabin with seat belts
 - + heating, Ventilation
 - + 4 Working head lights
- ROPS cabin with air conditioning
- Rotary beacon
- Crab-walk to both sides (170mm)
- 2 LED-lights for cabin roof (flatbeam)
- Edge cutter
- Special painting
- Environmentally compliant hydraulic oil
- Radio/Radio preparation
- ROPS/FOPS with safety belt
- Precision spreader BS180 laterally slidable
- Precision spreader BS180
- Asphalt temperature display
- Lighting for drum edge front and rear
- Seat heating
- Frequency
 - 67Hz(BW161),70Hz(BW190/202)
- Approval by the German TÜV
- BOMAG TELEMATIC POWER
- Outside mirrors
- ECONOMIZER
- BCM-Documentation system

