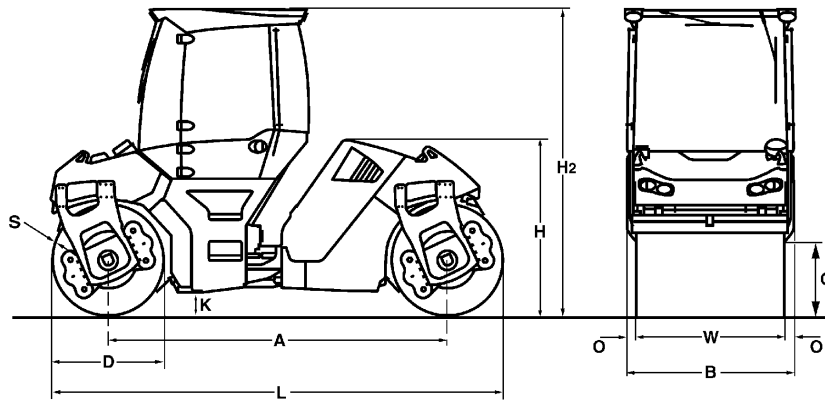


# TECHNICAL DATA

TANDEM ROLLERS

BW 161 AD-5, BW 190 AD-5, BW 202 AD-5





**Dimensions in mm**

	<b>A</b>	<b>B</b>	<b>C</b>	<b>D</b>	<b>H</b>	<b>H2</b>	<b>K</b>	<b>L</b>	<b>O</b>	<b>S</b>	<b>W</b>
<b>BW 161 AD-5</b>	3620	1836	670	1220	2315	3050	250	4840	78	17	1680
<b>BW 190 AD-5</b>	3620	2146	670	1220	2315	3050	250	4840	78	19	1990
<b>BW 202 AD-5</b>	3620	2291	670	1220	2315	3050	250	4840	78	19	2135

**Shipping dimensions in m3**

**BW 161 AD-5**  
**BW 190 AD-5**  
**BW 202 AD-5**

**without ROPS**

20,572  
 24,045  
 25,670

**with ROPS**

27,103  
 31,679  
 33,820

<b>Machine type</b>	<b>Compaction output (m3/h) at recommended soil layer thicknesses</b>		
	<b>Gravel, sand</b>	<b>Mixed soil</b>	<b>Silt, clay</b>
BW 161 AD-5	150-320	140-260	100-220
BW 190 AD-5	260-500	180-360	140-220
BW 202 AD-5	280-550	200-400	150-250

<b>Machine type</b>	<b>Compaction output (t/h) at different asphalt layer thicknesses</b>		
	<b>2-4 cm</b>	<b>6-8 cm</b>	<b>10-14 cm</b>
BW 161 AD-5	50-100	100-200	150-230
BW 190 AD-5	70-120	120-230	190-300
BW 202 AD-5	80-160	130-270	200-340

## Technical Data

### BOMAG BW 161 AD-5

### BOMAG BW 190 AD-5

### BOMAG BW 202 AD-5

#### Weights

Operating weight CECE w. cab. ....	kg	10.000	12.050	12.300
Axle load, front CECE .....	kg	5.100	6.200	6.350
Axle load, rear CECE .....	kg	4.900	5.850	5.950
Static linear load, front CECE .....	kg/cm	30,4	31,0	29,7
Static linear load, rear CECE .....	kg/cm	29,2	29,3	27,9
Grossweight .....	kg	11.000	13.000	13.500

#### Dimensions

Track radius, inner .....	mm	4.900	4.745	4.673
Length (without towing hitch) .....	mm	4.840	4.840	4.840

#### Driving Characteristics

Max. travel speed .....	km/h	0- 12,0	0- 15,0	0- 12,0
Max. gradeability without/with vibr. ....	%	35/30	35/30	35/30

#### Drive

Engine manufacturer .....		Deutz	Deutz	Deutz
Type .....		TCD 3.6 L4	TCD 3.6 L4	TCD 3.6 L4
Emission stage .....		Stage IV / TIER4f	Stage IV / TIER4f	Stage IV / TIER4f
Exhaust gas aftertreatment .....		DOC+SCR	DOC+SCR	DOC+SCR
Cooling .....		Liquid	Liquid	Liquid
Number of cylinders .....		4	4	4
Performance ISO 14396 .....	kW	95,0	95,0	95,0
Performance SAE J 1995 .....	hp	127,0	127,0	127,0
Speed .....	min-1	2.300	2.300	2.300
Electric equipment .....	V	12	12	12

#### Brakes

Service brake .....		hydrost.	hydrost.	hydrost.
Parking brake .....		multi disc	multi disc	multi disc

#### Steering

Steering system .....		oscil.artic.	oscil.artic.	oscil.artic.
-----------------------	--	--------------	--------------	--------------

#### Exciter system

Vibrating drum .....		front + rear	front + rear	front + rear
Autom. vibr. shut off .....		standard	standard	standard
Frequency .....	Hz	40/53	40/55	40/53
Amplitude .....	mm	0,87/0,44	0,90/0,34	0,84/0,31
Centrifugal force .....	kN	95/90	126/88	126/88
Centrifugal force .....	t	9,7/9,2	12,8/9,0	12,8/9,0

#### Capacities

Fuel .....	l	145,0	145,0	145,0
Water .....	l	750,0	750,0	750,0

Technical modifications reserved. Machines may be shown with options.

### Standard Equipment

- 2 amplitudes / 2 frequencies
- ECOMODE
- Autom. vibration operation
- Individual vibration control
- Driver's seat, slewable
  - laterally slidable with steering wheel
- Emergency stop button
- On-board computer
  - engine speed
  - Speedometer
  - Fuel consumption
  - Engine temperature
- V-belt protection
- Pressure sprinkling system with 2 pumps
- Indicator and hazard lights
- Back-up alarm
- Battery disconnect switch
- Compartments for documents and tools

### Optional Equipment

- ROPS cabin with seat belts
  - + heating, Ventilation
  - + 4 Working head lights
- ECONOMIZER
- BCM-Documentation system
- ROPS cabin with air conditioning
- Rotary beacon
- Crab-walk to both sides (170mm)
- 2 LED-lights for cabin roof (flatbeam)
- Edge cutter
- Special painting
- Environmentally compliant hydraulic oil
- Radio/Radio preparation
- ROPS/FOPS with safety belt
- Precision spreader BS180 laterally slidable
- Precision spreader BS180
- Asphalt temperature display
- Lighting for drum edge front and rear
- Seat heating
- Frequency
  - 67Hz(BW161),70Hz(BW190/202)
- Approval by the German TÜV
- BOMAG TELEMATIC POWER
- Outside mirrors

