

Dynapac SD2500W

Large pavers



Technical data



Masses

Weight (incl. standard screed)	18 t
--------------------------------	------



Dimensions

Working width, minimum (with reducing shoe)	2.05 m
Front ramp angle	17°
Basic width	2.55 m
Working width, max.	7.50 m



Capacity

Placement thickness (max)	300 mm
Theoretical placement capacity	700 t/h



Material hopper

Capacity	6.0 m³
Dumping height (center/outside)	574 mm /587 mm
Hopper width, internal	3142 mm



Traction

Maximum paving speed	30 m/min
Transport speed	20.0 km/h



Engine

Manufacturer/Model	Cummins QSB 6.7-C173
Emissions according to	Stage IIIA/IIIB/IV (T3/T4i/T4f)
Rated power	129 kW () @ 2200 rpm
Electrical system	24 V
Fuel tank capacity	315 l



Undercarriage

Final drive	Direct drive over transmissions
Tyre size	445/80R25
Front wheels	4 x 560/300-390
Wheel drive	2x rear wheel + 2x front wheel
Turning radius (inside)	2477 mm
Turning radius (outside)	6065 mm



Conveyor

Conveyor type	Dual bar feeder
Conveyor control	2 x 580 mm
Conveyor width	The independent conveyor with proportional control



Auger

Auger diameter	380 mm
Auger control	Automatic with ultrasonic sensors

Find us locally at www.dynapac.com

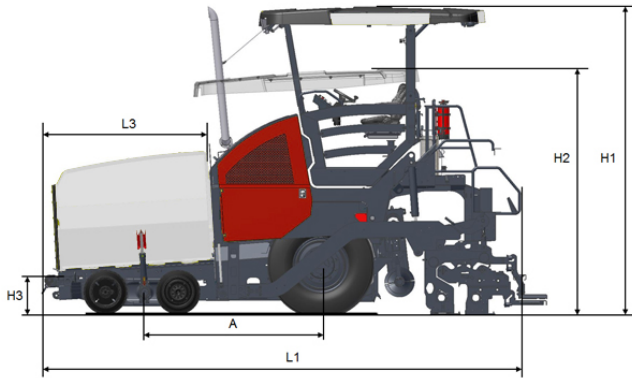
We reserve the right to change specifications without notice. Photos and illustrations do not always show standard versions of machines. The above information is a general description only, all informations are supplied without liability.

Dynapac SD2500W

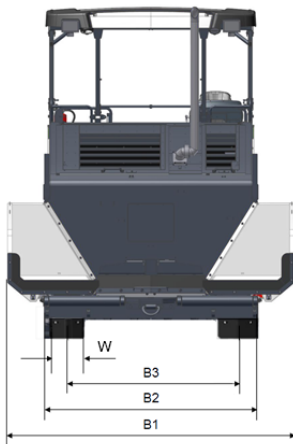
Large pavers



Technical data



Dimensions	
A. Wheelbase	2,241 mm
B1. Width, max.	3,250 mm
B2. Width, standard	2,550 mm
B3. Width, wheel track	2,053 mm
H1. Height, max.	3,900 mm
H2. Height, transport	3,100 mm
H3. Height	493 mm
L1. Length	6,100 mm
L3. Length, hopper	2,123 mm



Find us locally at www.dynapac.com

We reserve the right to change specifications without notice. Photos and illustrations do not always show standard versions of machines. The above information is a general description only, all informations are supplied without liability.