

Dynapac SD2500C

Large pavers



Technical data



Masses

Weight (incl. standard screed)	18.50 t
--------------------------------	---------



Dimensions

Basic width	2.55 m
Working width, minimum (with reducing shoe)	2.05 m
Front ramp angle	15°
Working width, max.	9 m



Capacity

Placement thickness (max)	310 mm
Theoretical placement capacity	650 t/h



Material hopper

Capacity	6.0 m ³
Dumping height (center/outside)	555 mm /560 mm
Hopper width, internal	3.29 m



Traction

Maximum paving speed	28 m/min
Transport speed	4.0 km/h



Engine

Manufacturer/Model	Cummins QSB 6.7
Emissions according to	Stage IIIA/IIIB/IV (T3/T4i/T4f)
Rated power, SAE J1995	129 kW @2200 rpm with stepless rpm control and ECO-Mode
Electrical system	24 V
Fuel tank capacity	320 l



Undercarriage

Crawler length	2.90 m
Crawler width	320 mm
Final drive	Hydrostatic final drives with hydraulic motors and planetary gear box



Conveyor

Conveyor type	Dual bar feeder
Conveyor control	Automatic with limit switches
Conveyor width	2 x 655 mm



Auger

Auger diameter	380 mm
Auger control	Automatic with ultrasonic sensors

Find us locally at www.dynapac.com

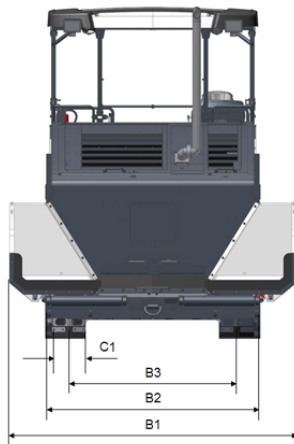
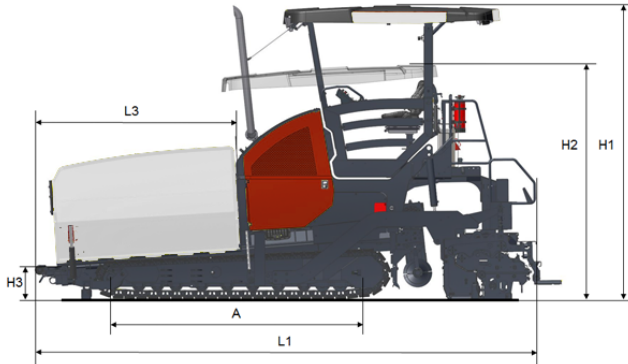
We reserve the right to change specifications without notice. Photos and illustrations do not always show standard versions of machines. The above information is a general description only, all informations are supplied without liability.

Dynapac SD2500C

Large pavers



Technical data



Dimensions	
A. Axle track	2.90 m
B1. Width, max.	3.40 m
B2. Width, standard	2.55 m
B3. Width, center of tracks	1.99 m
C1. Track width	0.32 m
H1. Height, max.	3.90 m
H2. Height, transport	3.10 m
H3. Height	0.49 m
L1. Length	6.15 m
L3. Length, hopper	2.12 m

Suitable screeds					
Model	Basic width	Working width, hydraulic extendable	Working width, max.	Compacting elements	Heating system
Dynapac V5100TVE	2.55 m	5.10 m	8.80 m	Vertical impact tamper /Vibration	Electrical
Dynapac V6000TV	3.00 m	6.00 m	9.70 m	Vertical impact tamper/Vibration	Propane (LPG)
Dynapac V6000TVH	3.00 m	6.00 m	9.00 m	Vertical impact tamper /Vibration and secondary compactor	Electrical
Dynapac V5100TV	2.55 m	5.10 m	8.80 m	Vertical impact tamper/Vibration	Propane (LPG)
Dynapac V5100TVH	2.55 m	5.10 m	8.10 m	Vertical impact tamper /Vibration and secondary compactor	Electrical
Dynapac V6000TVE	3.00 m	6.00 m	9.70 m	Vertical impact tamper/Vibration	Electrical

Find us locally at www.dynapac.com

We reserve the right to change specifications without notice. Photos and illustrations do not always show standard versions of machines. The above information is a general description only, all informations are supplied without liability.