

The Screed for the SUPER 1703-3i

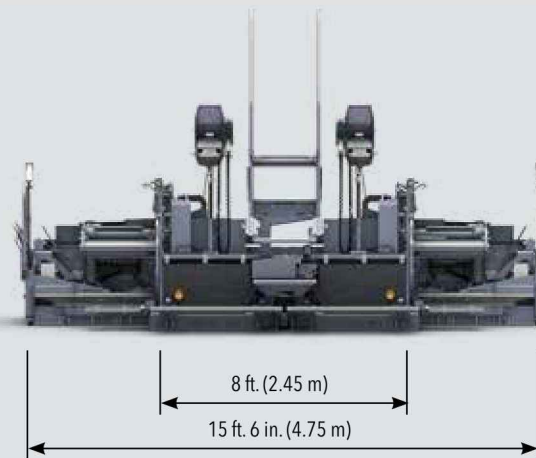
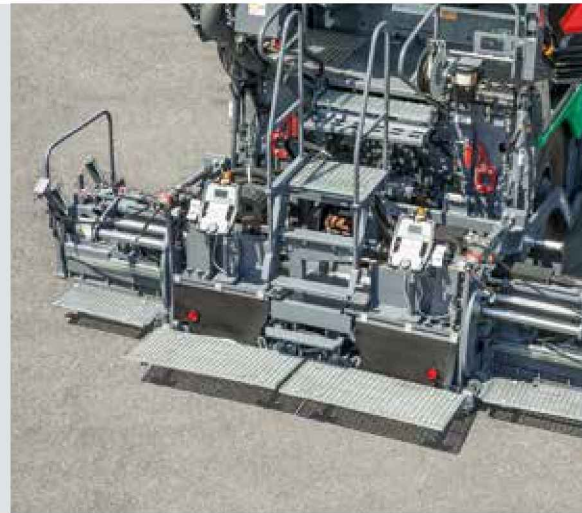
VF 500 V

Paving widths

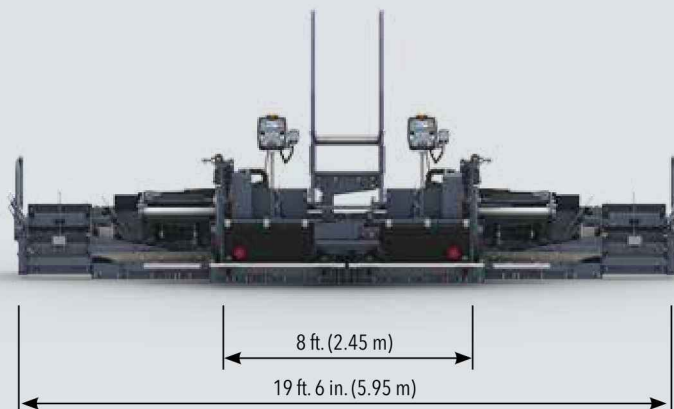
- » Infinitely variable range from 8 ft. to 15 ft. 6 in. (2.45 m to 4.75 m).
- » Maximum paving width through bolt-on extensions:
 - > 17 ft. 6 in. (2 x 12 in.) / 5.35 m (2 x 30 cm).
 - > 19 ft. 6 in. (2 x 24 in.) / 5.95 m (2 x 60 cm).

Compacting system

- » VF 500 V with vibration



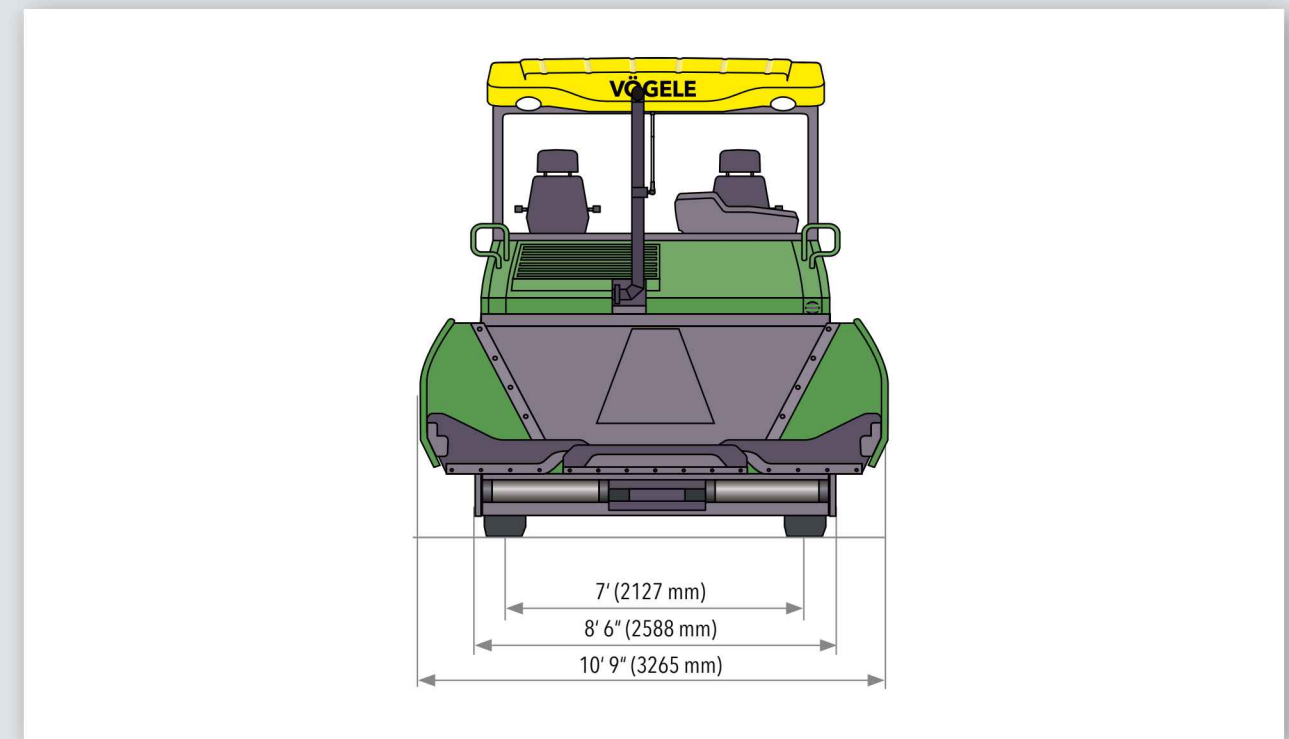
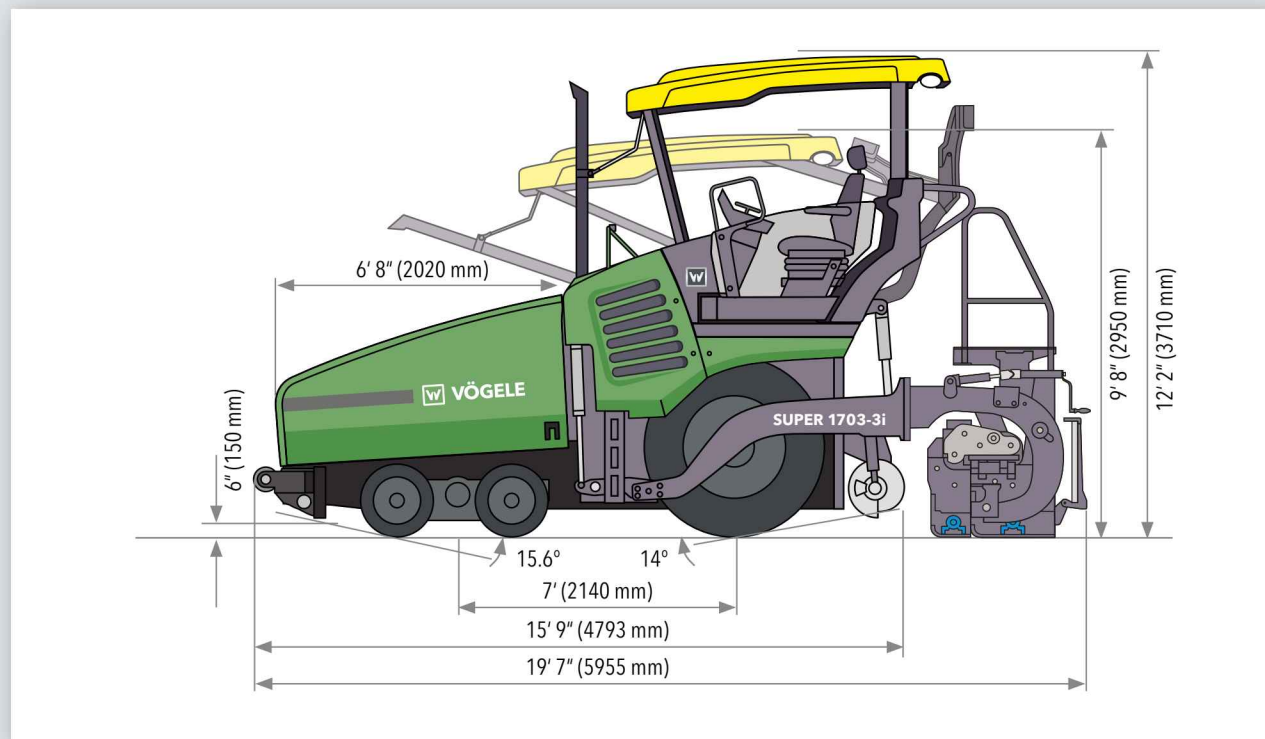
VF 500 V without bolt-on extensions



VF 500 V with 24 in. (60 cm) bolt-on extensions



All the Facts at a Glance



Power Unit

Engine	4-cylinder diesel engine, liquid-cooled
Manufacturer	Cummins
Type	QSB4.5 - C173
Output	
Nominal	173 hp (129 kW) at 2,000 rpm (according to DIN)
ECO mode	160 hp (119 kW) at 1,700 rpm
Exhaust Emissions	
Standard	EU Stage 4, US EPA Tier 4f
Exhaust after-treatment	DOC, SCR
Fuel tank	57 gallons (US) (215 liters)

Undercarriage

Front Wheels	4, mounted on bogies (oscillating axle)
Tire Equipment	solid tires
Tire Size	540/300 - 390
Rear Wheels	2, pneumatic tires, tubeless
Tyre Size	14.00 R25
Traction Drive	separate hydraulic drive provided for each wheel
Standard	2 rear wheels and 2 front wheels powered (6x4)
Option	2 rear wheels and 4 front wheels powered (6x6)

Undercarriage

Speeds	
Paving	up to 250 fpm (76 m/min.)
Travel	up to 12 mph (20 km/h)
Outside Turning Radius	minimum of 11 ft. 6 in. (3.5 m) with Pivot Steer

Material Hopper

Hopper Capacity	14.3 tons (13 tonnes)
Width	10 ft. 9 in. (3,265 mm)
Feed Height	24 in. (615 mm)
Push-Rollers	
Standard	oscillating
Positions	can be displaced forwards by 3 in. (75 mm) or 6 in. (150 mm)
Option	truck hitch

Conveyors and Augers

Conveyors	2, with replaceable feeder bars, conveyor movement reversible for a short time
Drive	separate hydraulic drive provided for each conveyor
Speed	up to 130 fpm (40 m/min.), infinitely variable (manual or automatic)

Conveyors and Augers

Augers	2, with exchangeable auger blades, auger rotation reversible
Diameter	16 in. (400 mm)
Drive	separate hydraulic drive provided for each auger
Speed	up to 120 rpm, infinitely variable (manual or automatic)
Height	infinitely variable by 6 in. (15 cm), hydraulic
Lubrication	automatic centralized lubrication system with electrically driven grease pump

Screed Option

VF 500	infinitely variable range	8 ft. to 15 ft. 6 in. (2.45 m to 4.75 m)
	maximum width	19 ft. 6 in. (5.95 m)
Screed Version	V	
Layer Thickness	up to 12 in. (30 cm)	
Screed Heating	electrically by heating rods	
Power Supply	three-phase A.C. generator	

Dimensions (Transport) and Weights

Width	8 ft. 6 in. (2.59 m)
Length	tractor and screed
VF 500 V	19 ft. 7 in. (5.96 m)
Weights	tractor, hardtop and screed
VF 500 V	38,140 lbs. (17.3 t)

Key: **DOC** = Diesel Oxidation Catalyst **VF** = Screed with Front-Mounted Extensions
SCR = Selective Catalytic Reduction **V** = with vibration

Technical alterations reserved.



The VÖGELE QR Code leads you directly to the "SUPER 1703-3i" on our website.



® ERGOPLUS, InLine Pave, NAVITRONIC, NAVITRONIC Basic, NAVITRONIC Plus, NIVELTRONIC, NIVELTRONIC Plus, RoadScan, SprayJet, VÖGELE, VÖGELE PowerFeeder, PaveDock, PaveDock Assistant, AutoSet, AutoSet Plus, AutoSet Basic, ErgoBasic and VÖGELE-EcoPlus are registered Community Trademarks of JOSEPH VÖGELE AG, Ludwigshafen/Rhein, Germany. PCC is a registered German Trademark of JOSEPH VÖGELE AG, Ludwigshafen/Rhein, Germany. ERGOPLUS, NAVITRONIC Plus, NAVITRONIC BASIC, NIVELTRONIC Plus, SprayJet, VISION, VÖGELE, VÖGELE PowerFeeder, PaveDock, PaveDock Assistant, AutoSet, AutoSet Plus, AutoSet Basic and VÖGELE-EcoPlus are trademarks registered in the US Patent and Trademark Office to JOSEPH VÖGELE AG, Ludwigshafen/Rhein, Germany. Legally binding claims cannot be derived from written information or pictures contained in this brochure. Pictures may include optional extras. We reserve the right of technical or design alterations.

Wirtgen America

6030 Dana Way · Antioch, TN 37013, USA
Phone: (615) 501-0600 · Fax: (615) 501-0691
Internet: www.wirtgenamerica.com