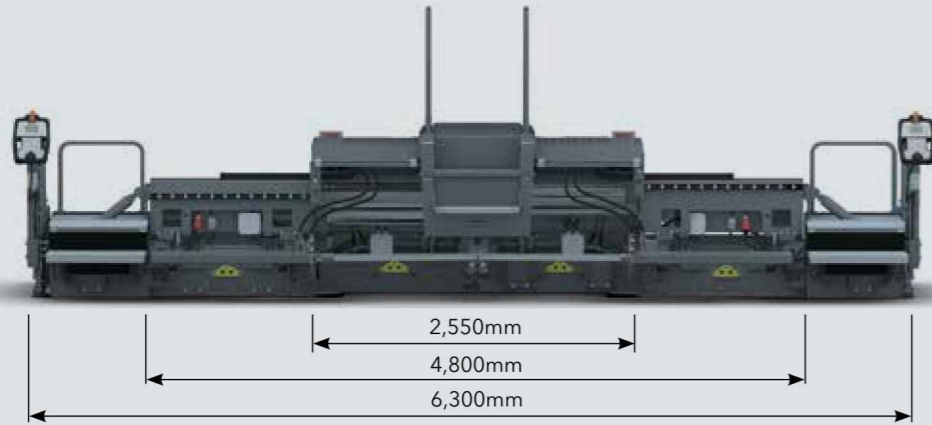


# Screed options for the SUPER 1603-3i

## AB 480 TV

Built up to maximum pave width



### Pave widths

- » Infinitely variable range from 2.55m to 4.8m
- » Larger widths through the addition of bolt-on extensions up to a maximum of 6.3m

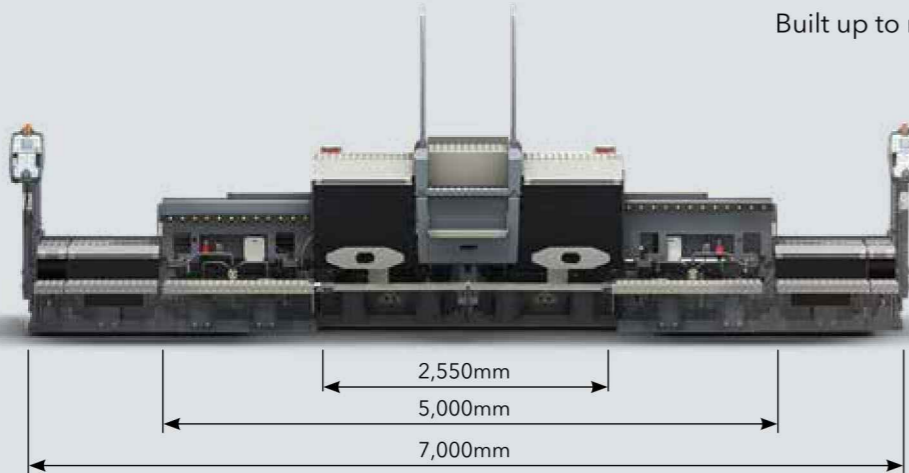
### Compacting systems

- » AB 480 TV with tamper and vibrators



## AB 500 TV

Built up to maximum pave width

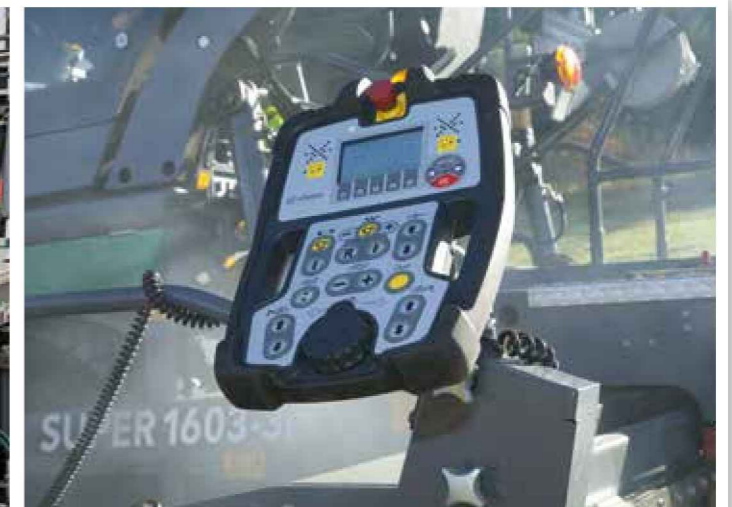
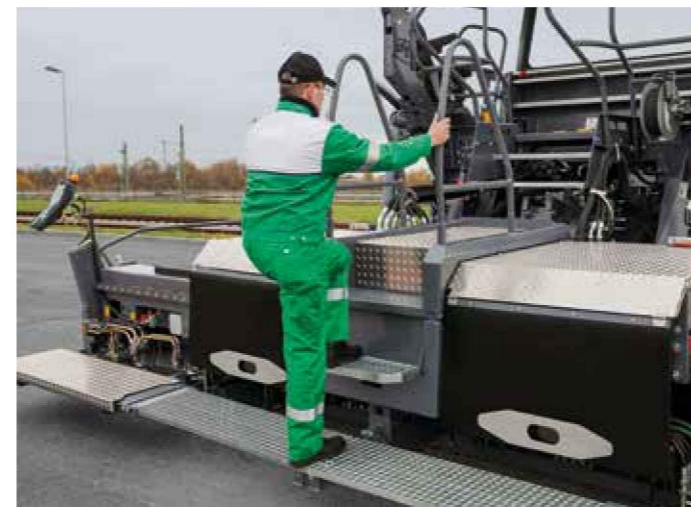


### Pave widths

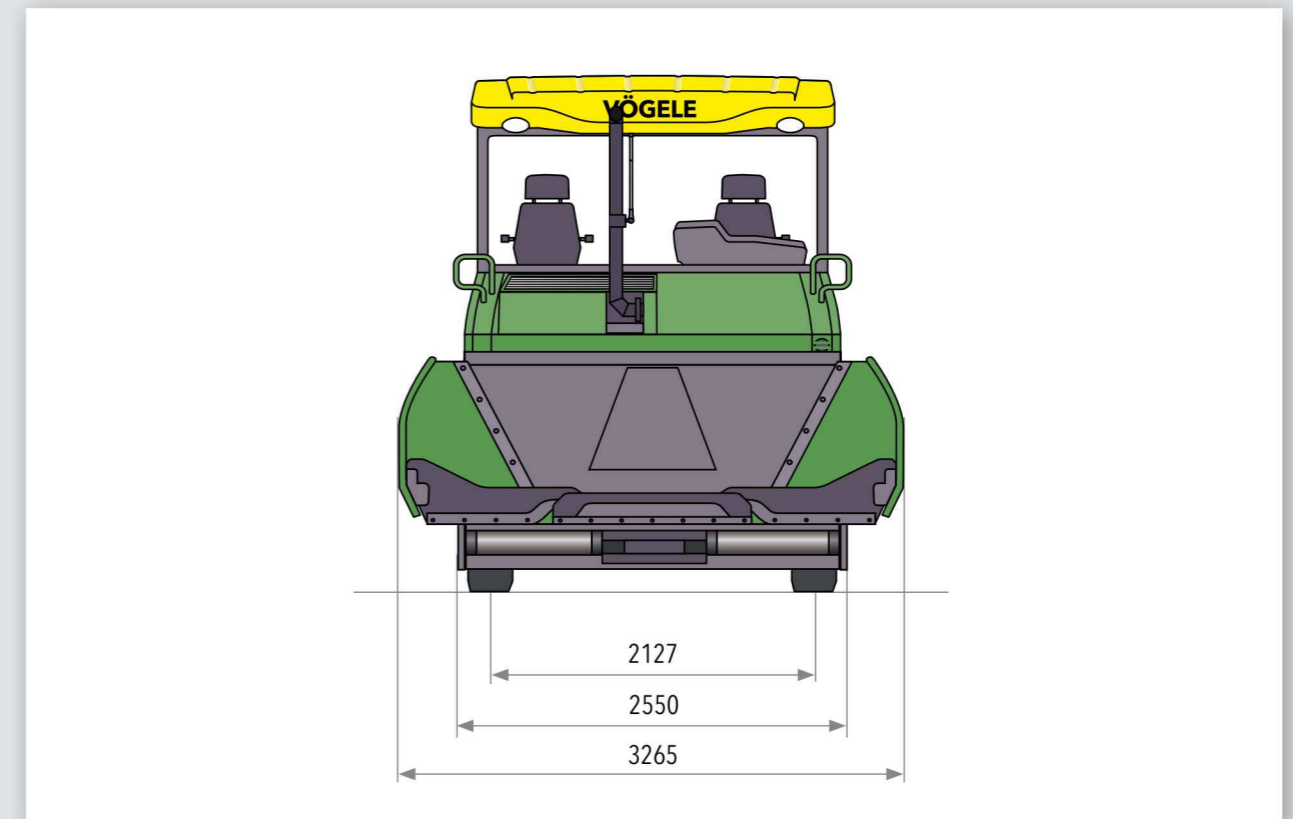
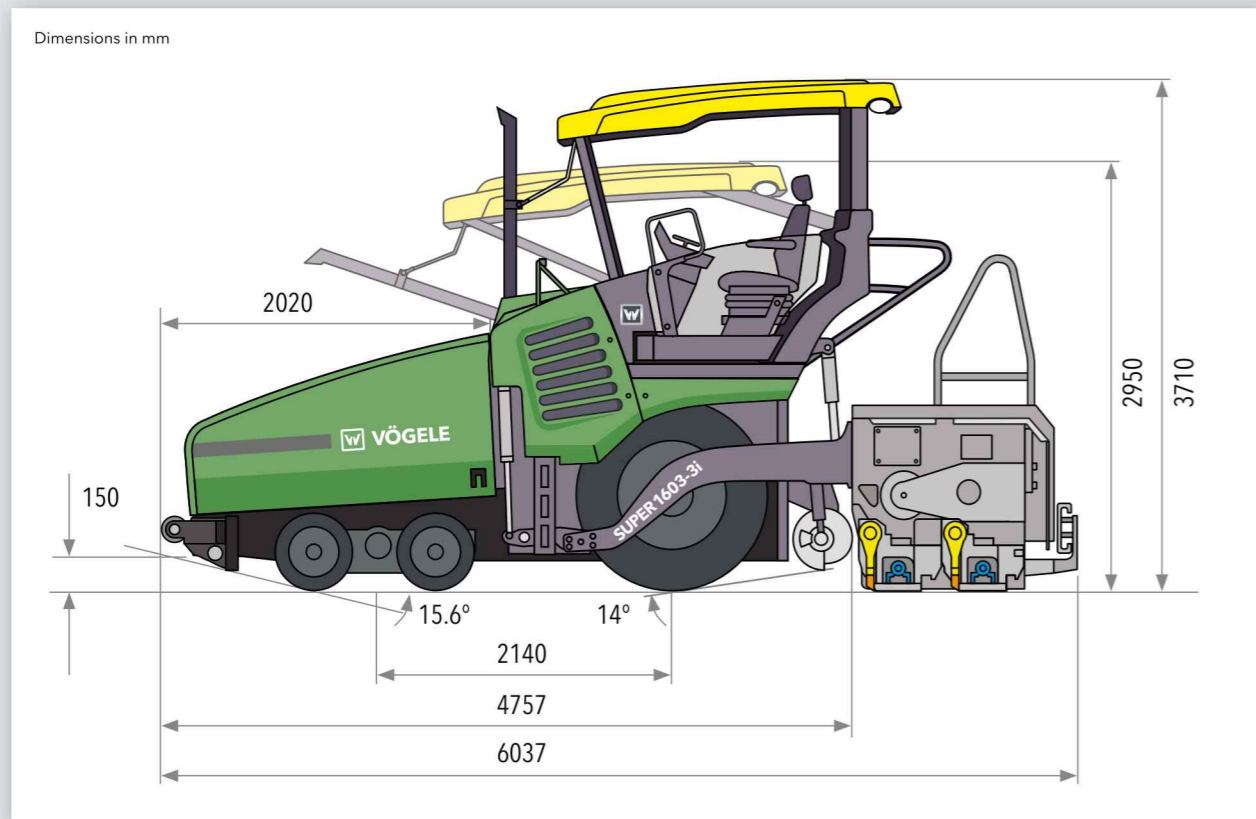
- » Infinitely variable range from 2.55m to 5m
- » Larger widths through the addition of bolt-on extensions up to a maximum of 7m

### Compacting systems

- » AB 500 TV with tamper and vibrators



# All the facts at a glance



Power unit	
<b>Engine</b>	4-cylinder diesel engine, liquid-cooled
Manufacturer	Cummins
Type	OSB4.5 C155
<b>Output</b>	
Nominal	116kW at 2,000rpm (according to DIN)
ECO mode	106kW at 1,700rpm
<b>Exhaust emissions standard</b>	EU Stage 4, US EPA Tier 4f
Exhaust gas after-treatment	DOC, SCR
<b>Emission data</b>	
Sound power level	≤107 dB(A) (2000/14/EC and DIN EN 500-6)
Daily noise exposure level	>80 dB(A) (DIN EN 500-6)
<b>Fuel tank</b>	215 litres

Undercarriage	
<b>Front wheels</b>	4, mounted on bogies (oscillating axle)
Tyre equipment	elastic solid rubber tyres
Tyre size	540/300 – 390mm
<b>Rear wheels</b>	2, pneumatic tyres, tubeless
Tyre size	14.00 R 25
<b>Drive</b>	separate hydraulic drive provided for each wheel
Standard	2 rear wheels (6x2)
Option	2 rear wheels and 2 front wheels (6x4) 2 rear wheels and 4 front wheels (6x6)
<b>Speeds</b>	
Paving	up to 18m/min., infinitely variable
Travel	up to 20km/h, infinitely variable
<b>Outside turning radius</b>	minimum 3.5m (with Pivot Steer)
Material hopper	
<b>Hopper capacity</b>	13t
<b>Width</b>	3,265mm
<b>Feed height</b>	594mm (bottom of material hopper)
<b>Push-rollers</b>	oscillating
Position	can be displaced forwards by 75mm or 150mm

Conveyors and augers	
<b>Conveyors</b>	2, with replaceable feeder bars, conveyor movement reversible for a short time
Drive	separate hydraulic drive provided for each conveyor
Speed	up to 33m/min., infinitely variable (manual or automatic)
<b>Augers</b>	2, with replaceable auger blades, auger rotation reversible
Diameter	400mm
Drive	separate hydraulic drive provided for each auger
Speed	up to 84 rpm, infinitely variable (manual or automatic)
Height	infinitely variable by 15cm, hydraulic, lowest position 10cm above the ground
<b>Lubrication</b>	automatic centralized lubrication system with electrically driven grease pump

Screed options		
<b>AB 480</b>	basic width	2.55m
	infinitely variable range	2.55m to 4.8m
	maximum width	6.3m
<b>AB 500</b>	basic width	2.55m
	infinitely variable range	2.55m to 5m
	maximum width	7m
<b>Screed version</b>	TV	
<b>Layer thickness</b>	up to 30cm	
<b>Screed heating</b>	electric by heating rods	
Power supply	three-phase A.C. generator	
Dimensions (transport) and weight		
<b>Length</b>	tractor unit with screed	
AB 480/500 TV	6.04m	
<b>Weight</b>	tractor unit with screed	
AB 500 TV	17.5t	

Key: **DOC** = Diesel Oxidation Catalyst    **SCR** = Selective Catalytic Reduction  
**AB** = Extending Screed    **TV** = with tamper and vibrators

Subject to technical modification.



Your VÖGELE QR Code  
will take you directly  
to the "SUPER 1603-3i"  
on our website.



**JOSEPH VÖGELE AG**

Joseph-Vögele-Str. 1  
67075 Ludwigshafen · Germany  
www.voegele.info

T: +49 621 / 81 05 0  
F: +49 621 / 81 05 461  
marketing@voegele.info



® ERGOPLUS, InLine Pave, NAVITRONIC, NAVITRONIC Basic, NAVITRONIC Plus, NIVELTRONIC, NIVELTRONIC Plus, RoadScan, SprayJet, VÖGELE, VÖGELE PowerFeeder, PaveDock, PaveDock Assistant, AutoSet, AutoSet Plus, AutoSet Basic, ErgoBasic and VÖGELE-EcoPlus are registered Community Trademarks of JOSEPH VÖGELE AG, Ludwigshafen/Rhein, Germany. PCC is a registered German Trademark of JOSEPH VÖGELE AG, Ludwigshafen/Rhein, Germany. ERGOPLUS, NAVITRONIC Plus, NAVITRONIC BASIC, NIVELTRONIC Plus, SprayJet, VISION, VÖGELE, VÖGELE PowerFeeder, PaveDock, PaveDock Assistant, AutoSet, AutoSet Plus, AutoSet Basic and VÖGELE-EcoPlus are trademarks registered in the US Patent and Trademark Office to JOSEPH VÖGELE AG, Ludwigshafen/Rhein, Germany. Legally binding claims cannot be derived from written information or pictures contained in this brochure. Pictures may include optional extras. We reserve the right to make technical or design alterations.