

# The screed for the SUPER 1303-3i

## AB 340 TV

### Pave widths

- » Infinitely variable range from 1.8m to 3.4m
- » Maximum pave width through bolt-on extensions:
  - > 3.9m (2 x 25cm)
  - > 4.5m (2 x 55cm)
- » Smaller widths by fitting cut-off shoes down to a minimum of 75cm

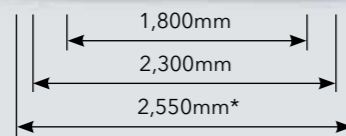
### Compacting systems

- » AB 340 TV with tamper and vibrators



## AB 340 TV

AB 340 TV with 25cm bolt-on extensions



Easy transport  
\*Even with bolt-on extensions and side plates fitted, the transport dimensions do not exceed 2.55m.

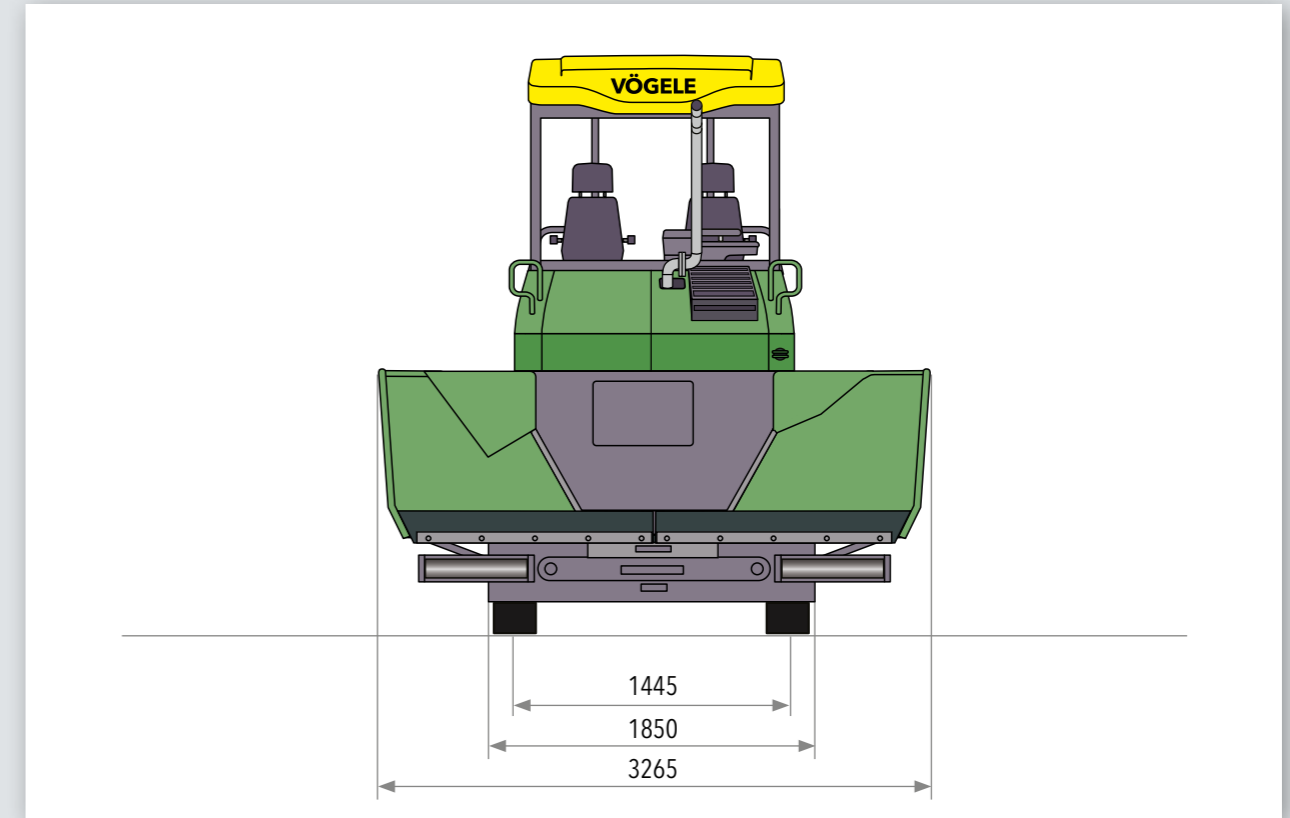
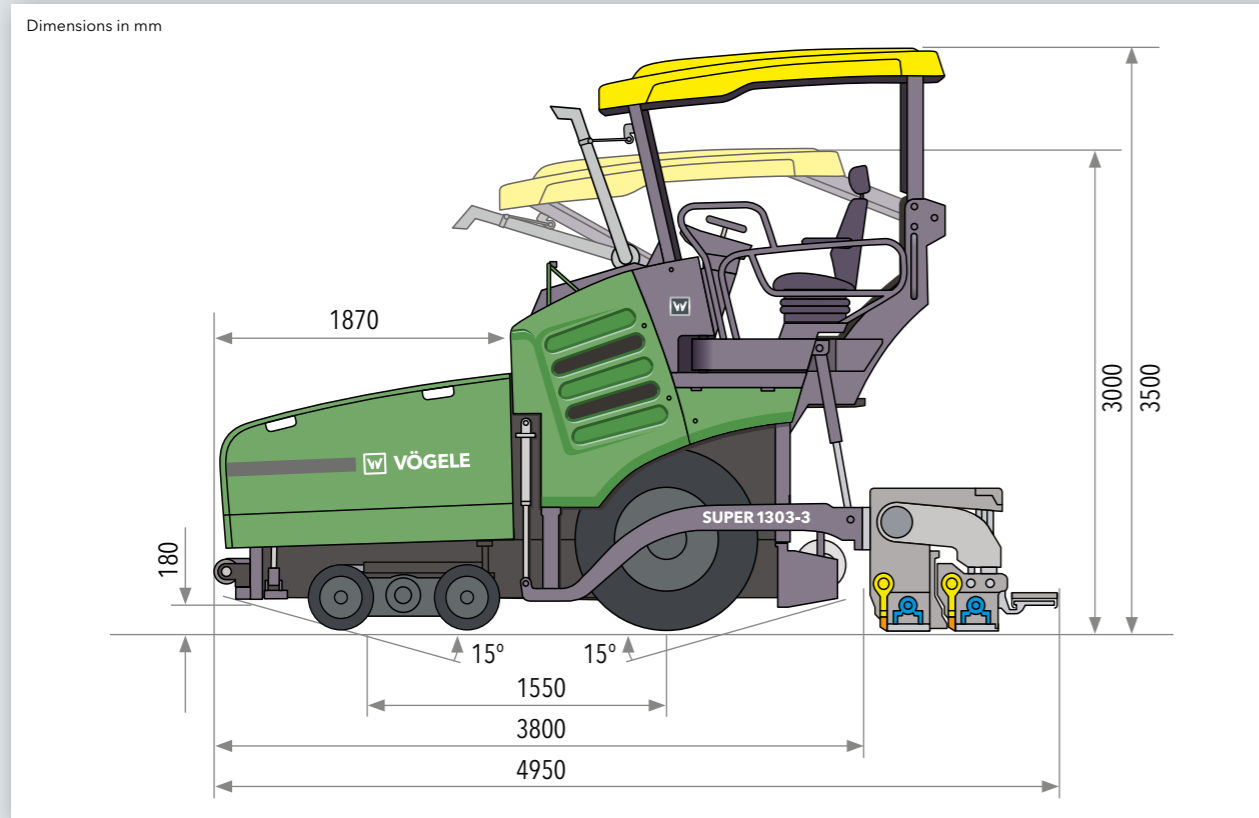
## AB 340 TV

AB 340 TV with 55cm bolt-on extensions





# All the facts at a glance



Power unit	
<b>Engine</b>	4-cylinder diesel engine
Manufacturer	Deutz
Type	TCD 3.6 L4
<b>Output</b>	
Nominal	74.4kW at 2,000rpm (according to DIN)
ECO mode	68.7kW at 1,600rpm
<b>Exhaust emissions standard</b>	EU Stage 4, US EPA Tier 4f
Exhaust gas after-treatment	DOC, SCR
<b>Emission data</b>	
Sound power level	≤105 dB(A) (2000/14/EC and DIN EN 500-6)
Daily noise exposure level	>80 dB(A) (DIN EN 500-6)
<b>Fuel tank</b>	100 litres

Undercarriage	
<b>Front wheels</b>	4, mounted on bogies
Tyre equipment	elastic solid rubber tyres
Tyre size	460/250 - 310mm
<b>Rear wheels</b>	2, pneumatic tyres or filled with water
Tyre size	365/80 R 20
<b>Drive</b>	separate hydraulic drive provided for each wheel
Standard	2 rear wheels and 2 front wheels
<b>Speeds</b>	
Paving	up to 30m/min., infinitely variable
Travel	up to 20km/h, infinitely variable
<b>Outside turning radius</b>	minimum 3.8m (with Pivot Steer)
Material hopper	
<b>Hopper capacity</b>	10t
<b>Width</b>	3,265mm
<b>Feed height</b>	570mm (bottom of material hopper)
<b>Push-rollers</b>	oscillating
Position	can be displaced forwards by 80mm

Conveyors and augers	
<b>Conveyors</b>	2, with replaceable feeder bars, conveyor movement reversible for a short time
Drive	separate hydraulic drive provided for each conveyor
Speed	up to 29.4m/min., infinitely variable (manual or automatic)
<b>Augers</b>	2, with replaceable auger blades, auger rotation reversible
Diameter	300mm
Drive	separate hydraulic drive provided for each auger
Speed	up to 85rpm, infinitely variable (manual or automatic)
<b>Auger height</b>	
Standard	infinitely variable by 13cm, mechanical
Option	infinitely variable by 13cm, hydraulic

Screed		
<b>AB 340</b>	basic width	1.8m
	infinitely variable range	1.8m to 3.4m
	maximum width	4.5m
	minimum width	0.75m
	reduction in width: by cut-off shoes	2 x 52.5cm
<b>Screed version</b>	TV	
<b>Layer thickness</b>	up to 25cm	
<b>Screed heating</b>	electric by heating rods	
Power supply	three-phase A.C. generator	
Dimensions (transport) and weights		
<b>Length</b>	tractor unit with screed	
AB 340 TV	4.95m	
<b>Weights</b>	tractor unit with screed	
AB 340 TV	pave widths up to 3.4m	10.5t
	pave widths up to 4.5m	11.2t

Key: **DOC** = Diesel Oxidation Catalyst    **SCR** = Selective Catalytic Reduction    **AB** = Extending Screed    **TV** = with tamper and vibrators

Subject to technical modification.



Your VÖGELE QR Code will take you directly to the "SUPER 1303-3i" on our website.



**JOSEPH VÖGELE AG**

Joseph-Vögele-Str. 1  
67075 Ludwigshafen · Germany  
[www.voegele.info](http://www.voegele.info)

T: +49 621 / 81 05 0  
F: +49 621 / 81 05 461  
[marketing@voegele.info](mailto:marketing@voegele.info)



® ERGOPLUS, InLine Pave, NAVITRONIC, NAVITRONIC Basic, NAVITRONIC Plus, NIVELTRONIC, NIVELTRONIC Plus, RoadScan, SprayJet, VÖGELE, VÖGELE PowerFeeder, PaveDock, PaveDock Assistant, AutoSet, AutoSet Plus, AutoSet Basic, ErgoBasic and VÖGELE-EcoPlus are registered Community Trademarks of JOSEPH VÖGELE AG, Ludwigshafen/Rhein, Germany. PCC is a registered German Trademark of JOSEPH VÖGELE AG, Ludwigshafen/Rhein, Germany. ERGOPLUS, NAVITRONIC Plus, NAVITRONIC BASIC, NIVELTRONIC Plus, SprayJet, VISION, VÖGELE, VÖGELE PowerFeeder, PaveDock, PaveDock Assistant, AutoSet, AutoSet Plus, AutoSet Basic and VÖGELE-EcoPlus are trademarks registered in the US Patent and Trademark Office to JOSEPH VÖGELE AG, Ludwigshafen/Rhein, Germany. Legally binding claims cannot be derived from written information or pictures contained in this brochure. Pictures may include optional extras. We reserve the right to make technical or design alterations.