

# The screed for the SUPER 1300-3i

## AB 340 TV

### Pave widths

- » Infinitely variable range from 1.8m to 3.4m
- » Maximum pave width through bolt-on extensions:
  - » 3.9m (2 x 25cm)
  - » 4.5m (2 x 55cm)
  - » 5m (2 x 80cm)
- » Smaller widths by fitting cut-off shoes down to a minimum of 75cm

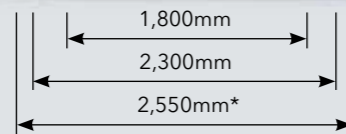
### Compacting systems

- » AB 340 TV with tamper and vibrators



## AB 340 TV

AB 340 TV built up with 25cm bolt-on extensions



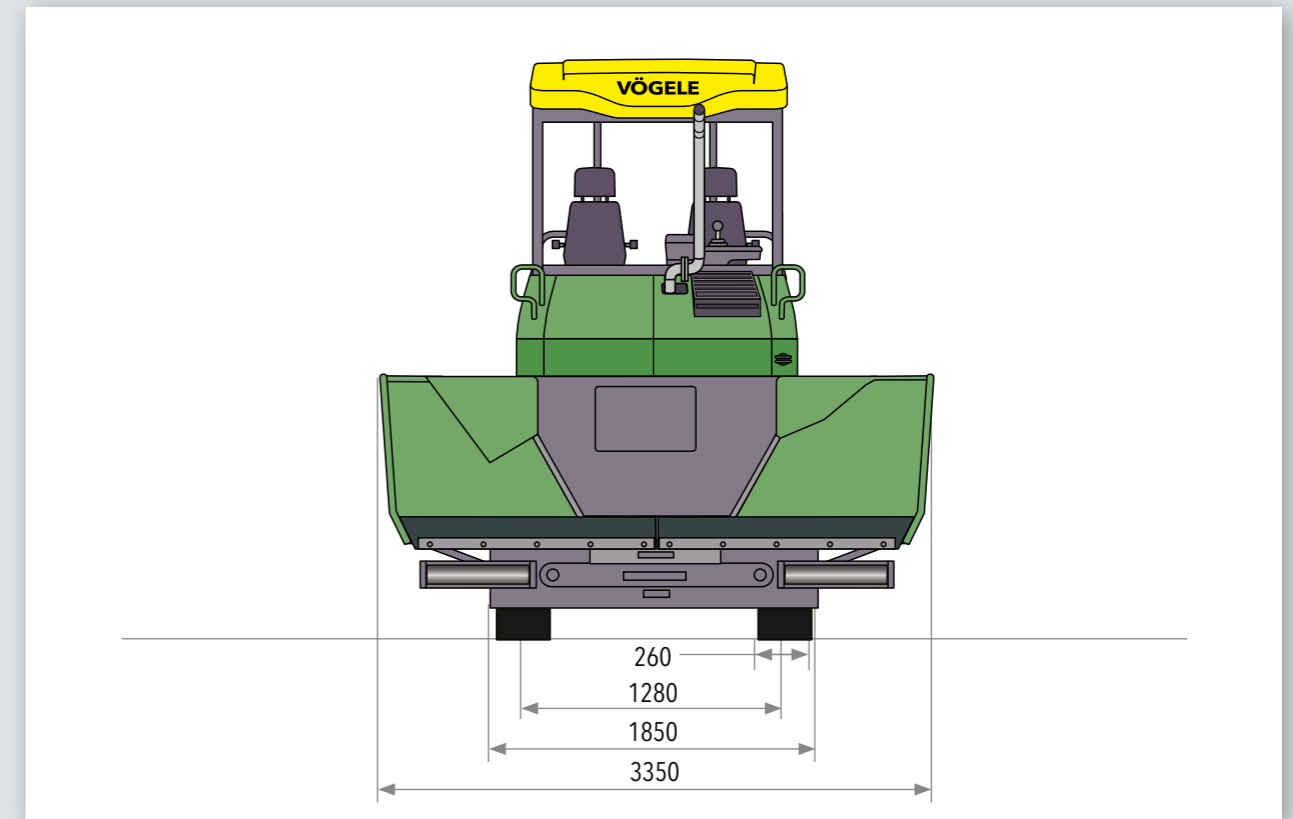
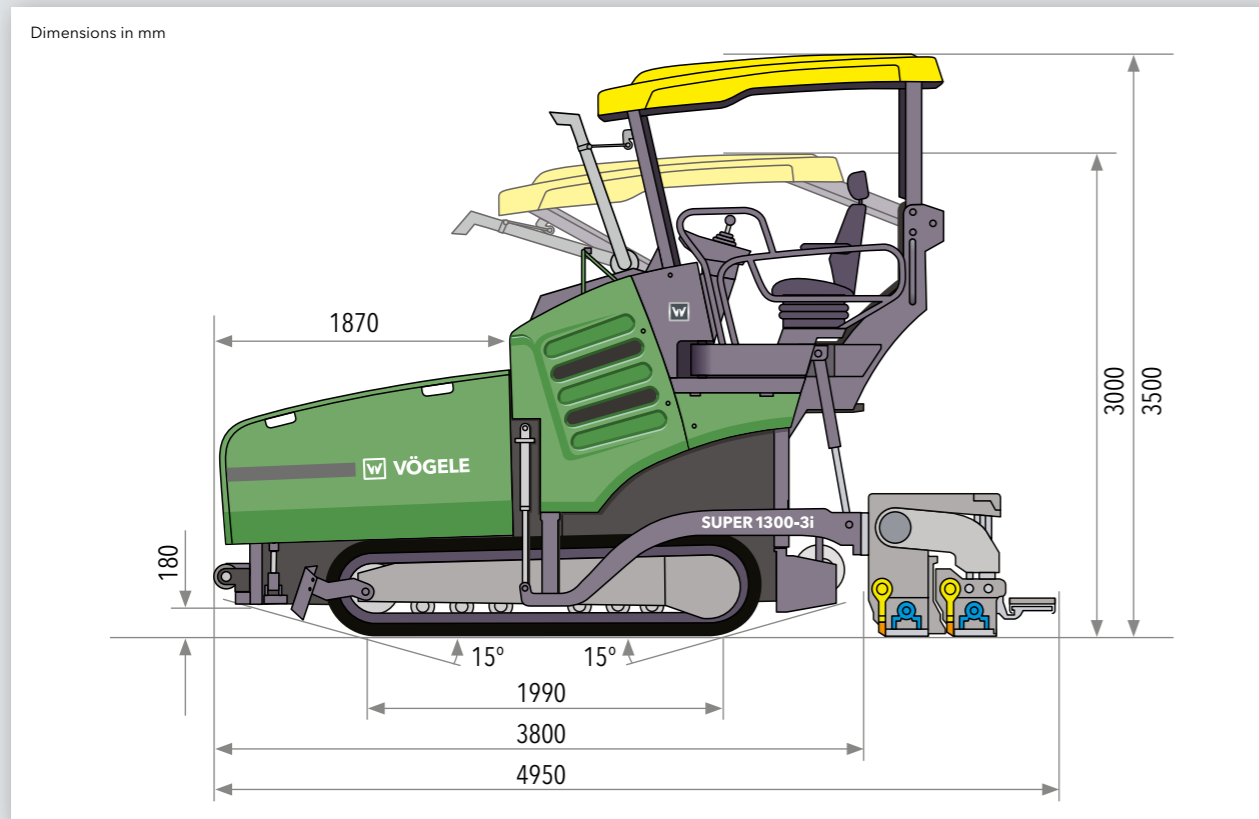
Easy transport  
\*Even with bolt-on extensions and side plates fitted, the transport dimensions do not exceed 2.55m.

## AB 340 TV

AB 340 TV built up with 80cm bolt-on extensions



# All the facts at a glance



Power unit	
Engine	4-cylinder diesel engine
Manufacturer	Deutz
Type	TCD 3.6 L4
Output	
Nominal	74.4kW at 2,000rpm (according to DIN)
ECO mode	68.7kW at 1,600rpm
Exhaust emissions standard	
Exhaust gas after-treatment	EU Stage 4, US EPA Tier 4f DOC, SCR
Emission data	
Sound power level	≤105 dB(A) (2000/14/EC and DIN EN 500-6)
Daily noise exposure level	>80 dB(A) (DIN EN 500-6)
Fuel tank	
	110 litres

Undercarriage	
Crawler tracks	provided with rubber pads
Ground contact	1,990mm x 260mm
Track tension adjuster	spring assembly
Track roller lubrication	lifetime
Traction drive	separate hydraulic drive and electronic control provided for each crawler track
Speeds	
Paving	up to 30m/min., infinitely variable
Travel	up to 4.5km/h, infinitely variable

Material hopper	
Hopper capacity	10t
Width	3,350mm
Feed height	580mm (bottom of material hopper)
Push-rollers	oscillating
Position	can be displaced forwards by 80mm

Conveyors and augers	
Conveyors	2, with replaceable feeder bars, conveyor movement reversible for a short time
Drive	separate hydraulic drive provided for each conveyor
Speed	up to 29m/min., infinitely variable (manual or automatic)
Lubrication	maintenance-free
Augers	2, with replaceable auger blades, auger rotation reversible
Diameter	300mm
Drive	separate hydraulic drive provided for each auger
Speed	up to 85rpm, infinitely variable (manual or automatic)
Auger height	
Standard	infinitely variable by 13cm, mechanical
Option	infinitely variable by 13cm, hydraulic

Screed		
AB 340	basic width	1.8m
	infinitely variable range	1.8m to 3.4m
	maximum width	5m
	minimum width	0.75m
	reduction in width: by cut-off shoes	2 x 52.5cm
Screed version	TV	
Layer thickness	up to 25cm	
Screed heating	electric by heating rods	
Power supply	three-phase A.C. generator	

Dimensions (transport) and weights		
Length	tractor unit with screed	
AB 340 TV	4.95m	
Weights	tractor unit with screed	
AB 340 TV	pave widths up to 3.4m	10.6t
	pave widths up to 5m	11.5t

Key: DOC = Diesel Oxidation Catalyst    SCR = Selective Catalytic Reduction    AB = Extending Screed    TV = with tamper and vibrators

Subject to technical modification.



Your VÖGELE QR Code will take you directly to the "SUPER 1300-3i" on our website.



**JOSEPH VÖGELE AG**

Joseph-Vögele-Str. 1  
67075 Ludwigshafen · Germany  
[www.voegele.info](http://www.voegele.info)

T: +49 621 / 81 05 0  
F: +49 621 / 81 05 461  
[marketing@voegele.info](mailto:marketing@voegele.info)



® ERGOPLUS, InLine Pave, NAVITRONIC, NAVITRONIC Basic, NAVITRONIC Plus, NIVELTRONIC, NIVELTRONIC Plus, RoadScan, SprayJet, VÖGELE, VÖGELE PowerFeeder, PaveDock, PaveDock Assistant, AutoSet, AutoSet Plus, AutoSet Basic, ErgoBasic and VÖGELE-EcoPlus are registered Community Trademarks of JOSEPH VÖGELE AG, Ludwigshafen/Rhein, Germany. PCC is a registered German Trademark of JOSEPH VÖGELE AG, Ludwigshafen/Rhein, Germany. ERGOPLUS, NAVITRONIC Plus, NAVITRONIC BASIC, NIVELTRONIC Plus, SprayJet, VISION, VÖGELE, VÖGELE PowerFeeder, PaveDock, PaveDock Assistant, AutoSet, AutoSet Plus, AutoSet Basic and VÖGELE-EcoPlus are trademarks registered in the US Patent and Trademark Office to JOSEPH VÖGELE AG, Ludwigshafen/Rhein, Germany. Legally binding claims cannot be derived from written information or pictures contained in this brochure. Pictures may include optional extras. We reserve the right to make technical or design alterations.