

# The screed for the SUPER 1103-3i

## AB 340 V

### Pave widths

- » Infinitely variable range from 1.8m to 3.4m.
- » Maximum pave width through bolt-on extensions:
  - > 3.9m (2 x 25cm)
  - > 4.2m (2 x 40cm)
- » Smaller widths by fitting cut-off shoes down to a minimum of 75cm.

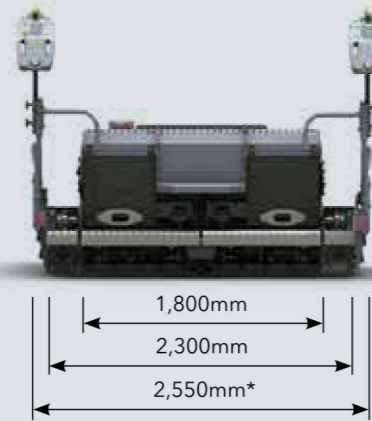
### Compacting system

- » AB 340 V with vibrators



## AB 340 V

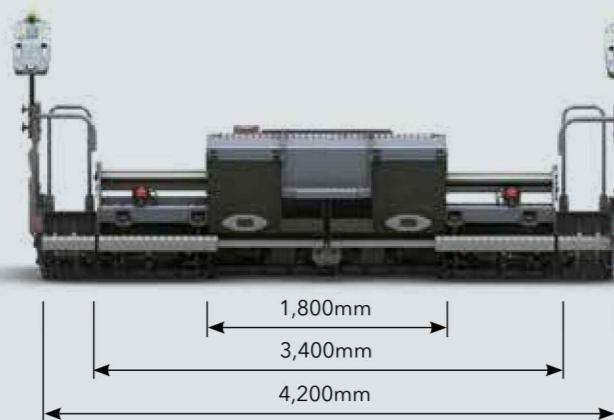
AB 340 V built up with 25cm bolt-on extensions



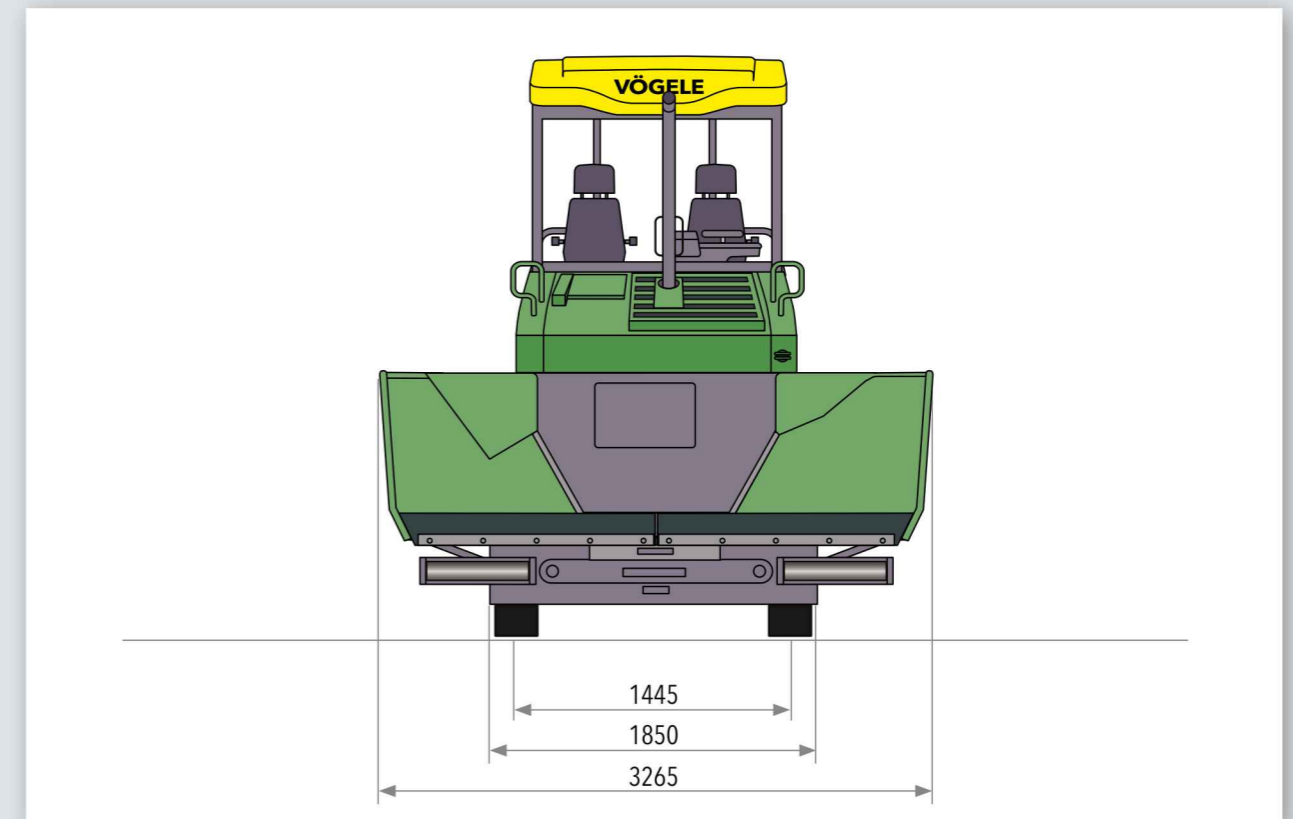
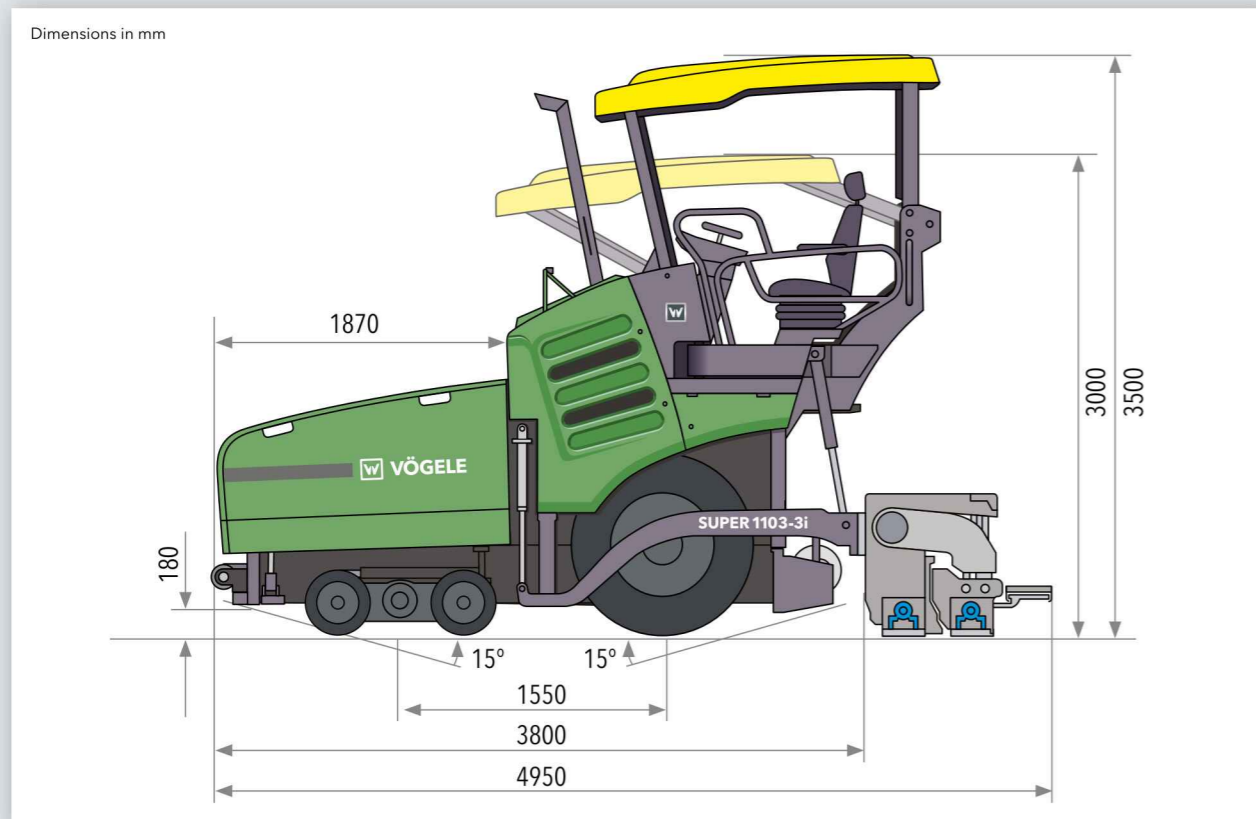
Easy transport  
\*Even with bolt-on extensions and side plates fitted, the transport dimensions do not exceed 2.55m.

## AB 340 V

AB 340 V built up with 40cm bolt-on extensions



# All the facts at a glance



Power unit	
<b>Engine</b>	4-cylinder diesel engine
Manufacturer	Deutz
Type	TCD 3.6L4
<b>Output</b>	
Nominal	74.4kW at 2,000rpm (according to DIN)
ECO mode	68.2kW at 1,600rpm
<b>Exhaust emissions standard</b>	EU Stage 3b, US EPA Tier 4i
Exhaust gas after-treatment	DOC
<b>Emission data</b>	
Sound power level	≤105 dB(A) (2000/14/EC and DIN EN 500-6)
Daily noise exposure level	>80 dB(A) (DIN EN 500-6)
<b>Fuel tank</b>	100 litres

Undercarriage	
<b>Front wheels</b>	4, mounted on bogies
Tyre equipment	elastic solid rubber tyres
Tyre size	460/250 – 310mm
<b>Rear wheels</b>	2, pneumatic tyres or filled with water
Tyre size	365/80 R 20 XZL TL 152K
<b>Drive</b>	separate hydraulic drive provided for each wheel
Standard	2 rear wheels (6x2)
<b>Speeds</b>	
Paving	up to 30m/min., infinitely variable
Travel	up to 20km/h, infinitely variable
<b>Outside turning radius</b>	minimum 3.8m (with Pivot Steer)
Material hopper	
<b>Hopper capacity</b>	10t
<b>Width</b>	3,245mm
<b>Feed height</b>	518mm (bottom of material hopper)
<b>Push-rollers</b>	oscillating
Position	can be displaced forwards by 80mm

Conveyors and augers	
<b>Conveyors</b>	2, with replaceable feeder bars, conveyor movement reversible for a short time
Drive	separate hydraulic drive provided for each conveyor
Speed	up to 25m/min., infinitely variable (manual or automatic)
<b>Augers</b>	2, with replaceable auger blades, auger rotation reversible
Diameter	300mm
Drive	separate hydraulic drive provided for each auger
Speed	up to 80rpm, infinitely variable (manual or automatic)
Auger height	infinitely variable by 13cm, mechanical

Screed		
<b>AB 340</b>	basic width	1.8m
	infinitely variable range	1.8m to 3.4m
	maximum width	4.2m
	minimum width	0.75m
	reduction in width: by cut-off shoes	2 x 52.5cm
<b>Screed version</b>	V	
<b>Layer thickness</b>	up to 20cm	
<b>Screed heating</b>	electric by heating rods	
Power supply	three-phase A.C. generator	
Dimensions (transport) and weights		
<b>Length</b>	tractor unit with screed	
AB 340 V	4.95m	
<b>Weights</b>	tractor unit with screed	
AB 340 V	pave widths up to 3.4m	10t
	pave widths up to 4.2m	10.7t

Key: **DOC** = Diesel Oxidation Catalyst    **AB** = Extending Screed    **V** = with vibrators

Subject to technical modification.



Your VÖGELE QR Code will take you directly to the "SUPER 1103-3i" on our website.



**JOSEPH VÖGELE AG**

Joseph-Vögele-Str. 1  
67075 Ludwigshafen · Germany  
marketing@voegele.info

Telephone: +49 (0)621 8105 0  
Fax: +49 (0)621 8105 461  
www.voegele.info



® ERGOPLUS, InLine Pave, NAVITRONIC, NAVITRONIC Basic, NAVITRONIC Plus, NIVELTRONIC, NIVELTRONIC Plus, RoadScan, SprayJet, VÖGELE, VÖGELE PowerFeeder, PaveDock, PaveDock Assistant, AutoSet, AutoSet Plus, AutoSet Basic, ErgoBasic and VÖGELE-EcoPlus are registered Community Trademarks of JOSEPH VÖGELE AG, Ludwigshafen/Rhein, Germany. PCC is a registered German Trademark of JOSEPH VÖGELE AG, Ludwigshafen/Rhein, Germany. ERGOPLUS, NAVITRONIC Plus, NAVITRONIC BASIC, NIVELTRONIC Plus, SprayJet, VISION, VÖGELE, VÖGELE PowerFeeder, PaveDock, PaveDock Assistant, AutoSet, AutoSet Plus, AutoSet Basic and VÖGELE-EcoPlus are trademarks registered in the US Patent and Trademark Office to JOSEPH VÖGELE AG, Ludwigshafen/Rhein, Germany. Legally binding claims cannot be derived from written information or pictures contained in this brochure. Pictures may include optional extras. We reserve the right to make technical or design alterations.