

The screed for the SUPER 1100-3i

AB 340 V

Pave widths

- » Infinitely variable range from 1.8m to 3.4m.
- » Maximum pave width through bolt-on extensions:
 - > 3.9m (2 x 25cm)
 - > 4.2m (2 x 40cm)
- » Smaller widths by fitting cut-off shoes down to a minimum of 75cm.

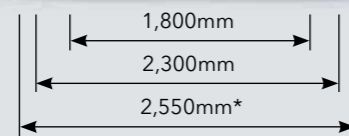
Compacting system

- » AB 340 V with vibrators



AB 340 V

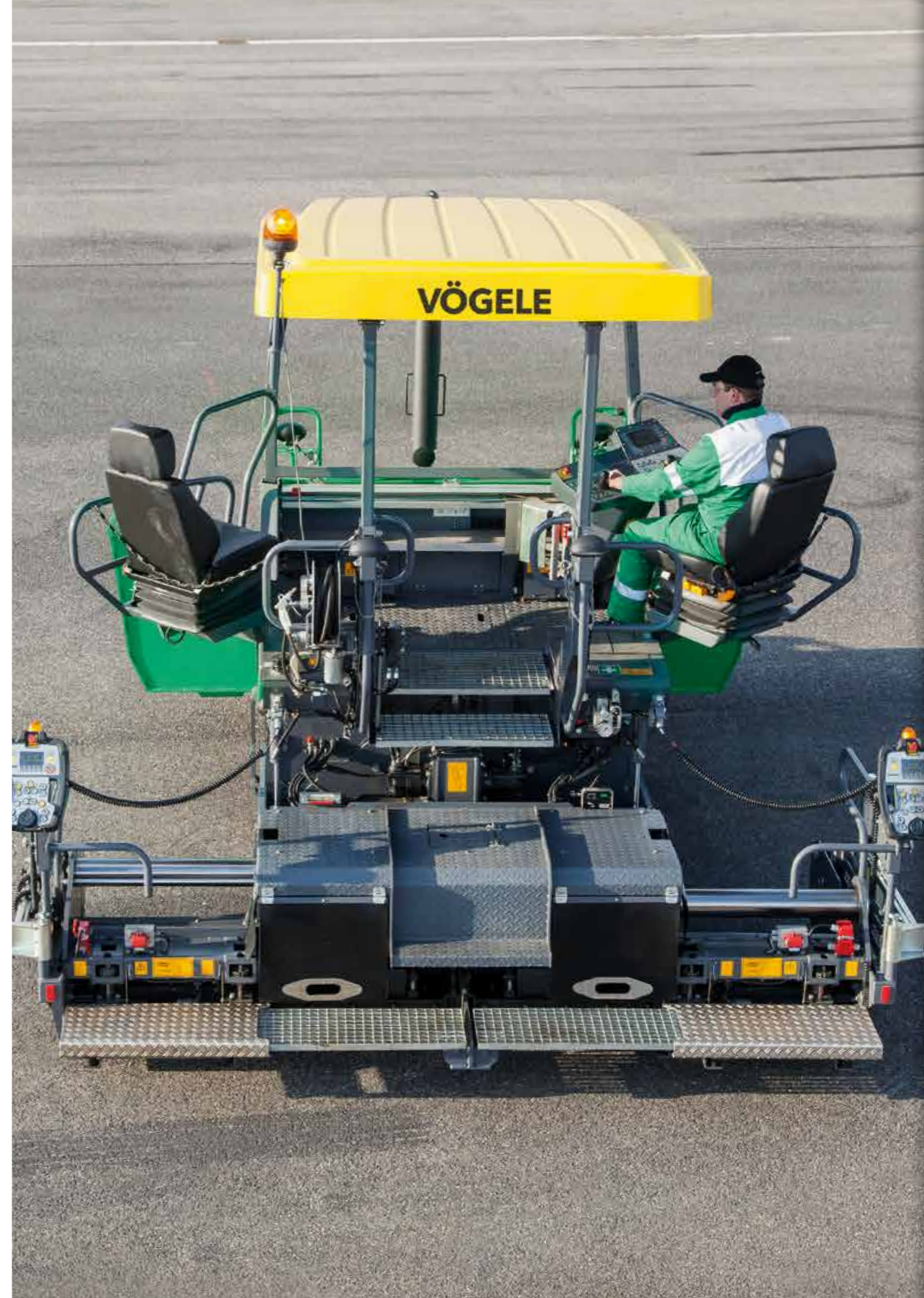
AB 340 V built up with 25cm bolt-on extensions



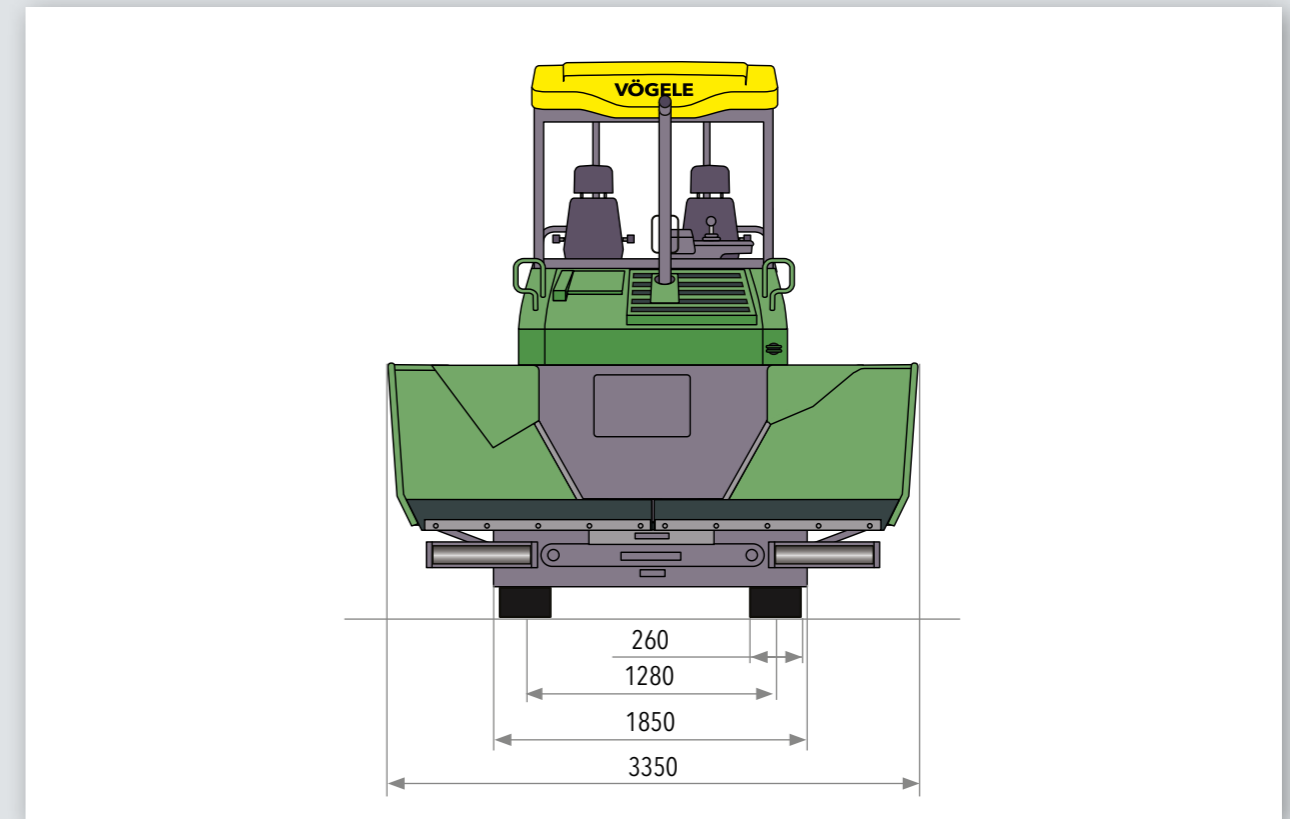
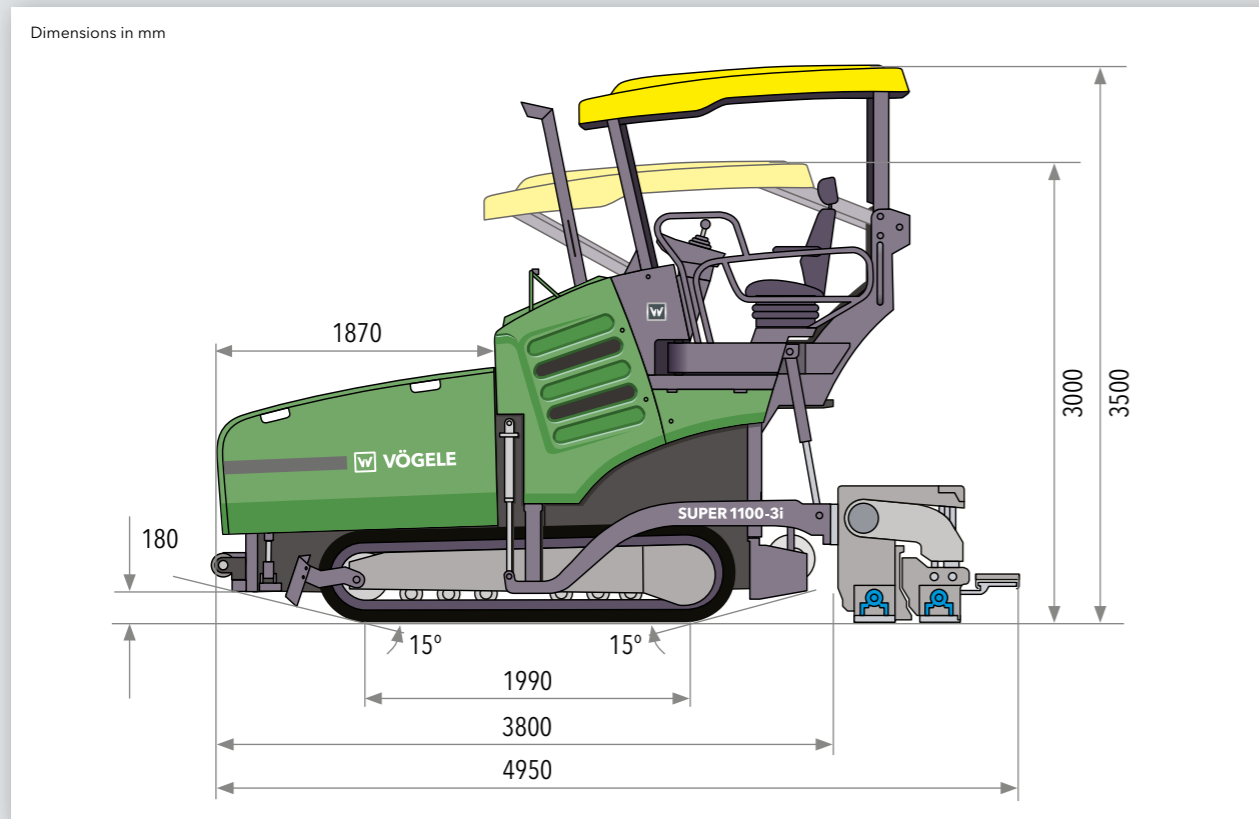
Easy transport
*Even with bolt-on extensions and side plates fitted, the transport dimensions do not exceed 2.55m.

AB 340 V

AB 340 V built up with 40cm bolt-on extensions



All the facts at a glance



Power unit	
Engine	4-cylinder diesel engine
Manufacturer	Deutz
Type	TCD 3.6L4
Output	
Nominal	80kW at 2,000rpm (according to DIN)
ECO mode	72kW at 1,600rpm
Exhaust emissions standard	EU Stage 3b, US EPA Tier 4i
Exhaust gas after-treatment	DOC
Emission data	
Sound power level	≤105 dB(A) (2000/14/EC and DIN EN 500-6)
Daily noise exposure level	>80 dB(A) (DIN EN 500-6)
Fuel tank	110 litres

Undercarriage	
Crawler tracks	provided with rubber pads
Ground contact	1,990mm x 260mm
Track tension adjuster	spring assembly
Track roller lubrication	lifetime
Traction drive	separate hydraulic drive and electronic control provided for each crawler track
Speeds	
Paving	up to 30m/min., infinitely variable
Travel	up to 4.5km/h, infinitely variable

Material hopper	
Hopper capacity	10t
Width	3,332mm
Feed height	572mm (bottom of material hopper)
Push-rollers	oscillating
Position	can be displaced forwards by 80mm

Conveyors and augers	
Conveyors	2, with replaceable feeder bars, conveyor movement reversible for a short time
Drive	separate hydraulic drive provided for each conveyor
Speed	up to 25m/min., infinitely variable (manual or automatic)
Lubrication	maintenance-free
Augers	2, with replaceable auger blades, auger rotation reversible
Diameter	300mm
Drive	separate hydraulic drive provided for each auger
Speed	up to 80rpm, infinitely variable (manual or automatic)
Auger height	infinitely variable by 13cm, mechanical

Screed		
AB 340	basic width	1.8m
	infinitely variable range	1.8m to 3.4m
	maximum width	4.2m
	minimum width	0.75m
	reduction in width: by cut-off shoes	2 x 52.5cm
Screed version	V	
Layer thickness	up to 20cm	
Screed heating	electric by heating rods	
Power supply	three-phase A.C. generator	

Dimensions (transport) and weight		
Length	tractor unit with screed	
AB 340 V	4.95m	
Weight	tractor unit with screed	
AB 340 V	pave widths up to 3.4m	10.2t
	pave widths up to 4.2m	11.1t

Key: **DOC** = Diesel Oxidation Catalyst **AB** = Extending Screed **V** = with vibrators

Subject to technical modification.



Your VÖGELE QR Code will take you directly to the "SUPER 1100-3i" on our website.



JOSEPH VÖGELE AG

Joseph-Vögele-Str. 1
67075 Ludwigshafen · Germany
marketing@voegele.info

Telephone: +49 (0)621 8105 0
Fax: +49 (0)621 8105 461
www.voegele.info



® ERGOPLUS, InLine Pave, NAVITRONIC, NAVITRONIC Basic, NAVITRONIC Plus, NIVELTRONIC, NIVELTRONIC Plus, RoadScan, SprayJet, VÖGELE, VÖGELE PowerFeeder, PaveDock, PaveDock Assistant, AutoSet, AutoSet Plus, AutoSet Basic, ErgoBasic and VÖGELE-EcoPlus are registered Community Trademarks of JOSEPH VÖGELE AG, Ludwigshafen/Rhein, Germany. PCC is a registered German Trademark of JOSEPH VÖGELE AG, Ludwigshafen/Rhein, Germany. ERGOPLUS, NAVITRONIC Plus, NAVITRONIC BASIC, NIVELTRONIC Plus, SprayJet, VISION, VÖGELE, VÖGELE PowerFeeder, PaveDock, PaveDock Assistant, AutoSet, AutoSet Plus, AutoSet Basic and VÖGELE-EcoPlus are trademarks registered in the US Patent and Trademark Office to JOSEPH VÖGELE AG, Ludwigshafen/Rhein, Germany. Legally binding claims cannot be derived from written information or pictures contained in this brochure. Pictures may include optional extras. We reserve the right to make technical or design alterations.